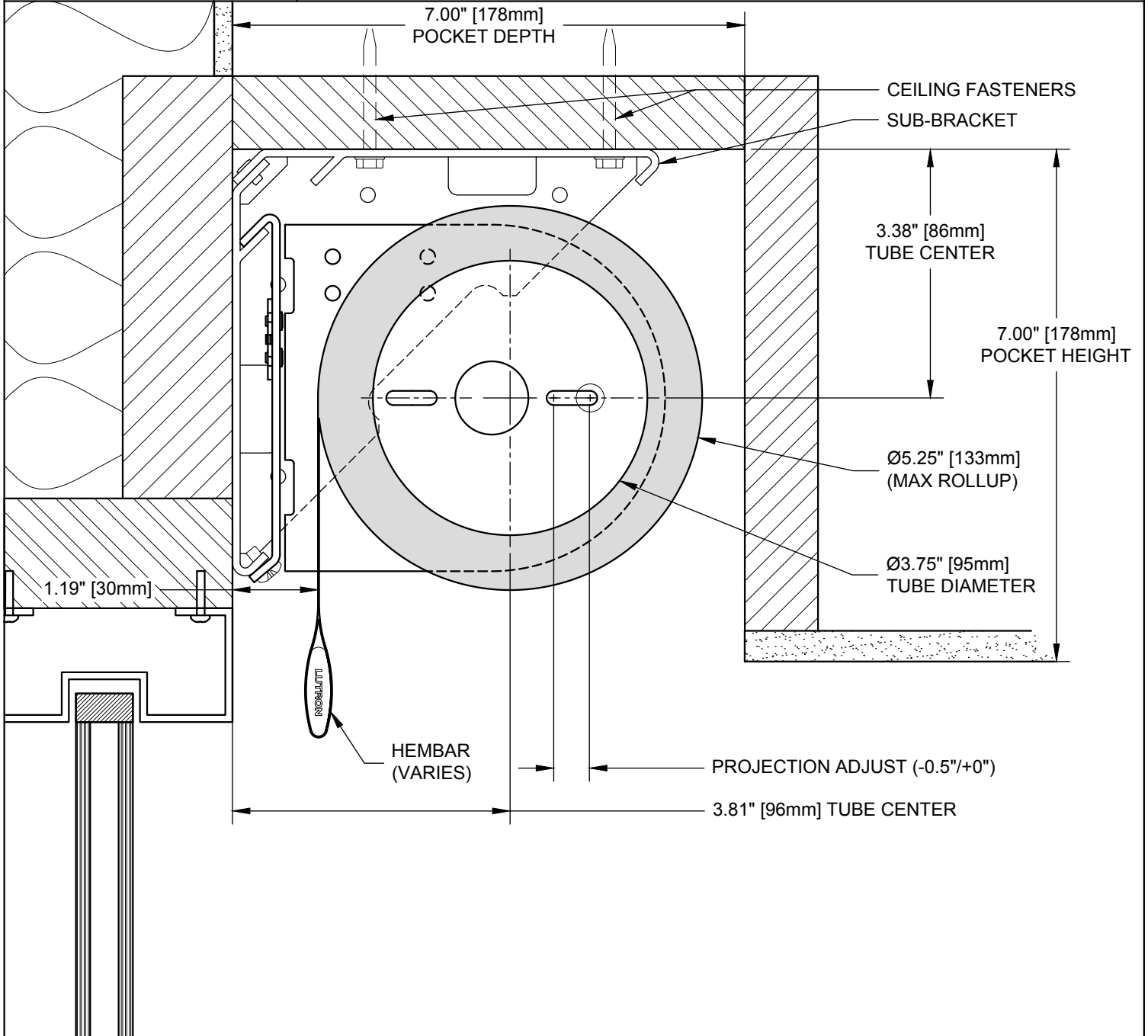


ROLLER 225 **JAMB MOUNT SHADE IN 7"x7" POCKET**



1.19" [30mm]

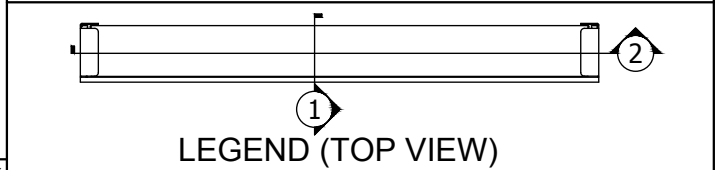
HEM BAR (VARIES)

PROJECTION ADJUST (-0.5"/+0")

3.81" [96mm] TUBE CENTER

GLAZING (TYPICAL)

MULTIPLE MOUNTING CONFIGURATIONS ARE ALLOWED: THIS BRACKET SUPPORTS CEILING, WALL OR JAMB MOUNTING (CEILING MOUNT SHOWN).



SHADE INSTALLED AS PROVIDED BY FACTORY WILL HAVE ALL NECESSARY CLEARANCES FOR PROPER OPERATION. IF ADJUSTMENT FEATURES ARE UTILIZED, IT IS THE RESPONSIBILITY OF THE INSTALLER TO ENSURE PROPER CLEARANCES ARE MAINTAINED. NOT ALL ADJUSTMENTS ARE AVAILABLE AT MAXIMUM ROLL Ø.

ROLLER 225 **085522**

SCALE: 1/2 VIEW: 1 REVISION: A

SECTION VIEW