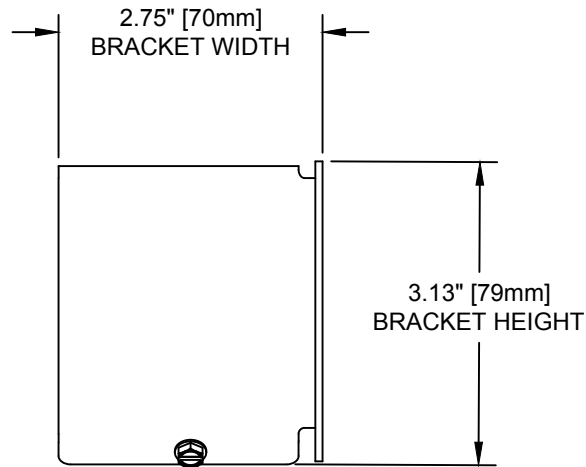


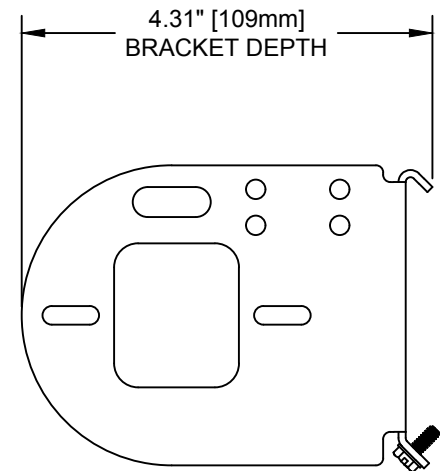
ISOMETRIC VIEW



PLAN VIEW



SECTION VIEW



ELEVATION VIEW

ROLLER 100/150/300 WALL/JAMB RIGHT SHADE BRACKET		
SCALE: 1/2	DRAWING #:	085507
		REVISION: A