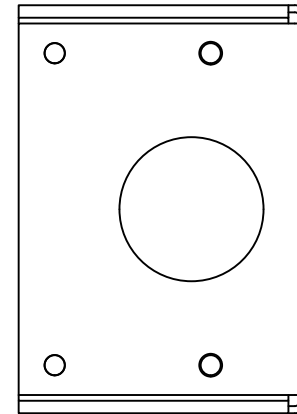
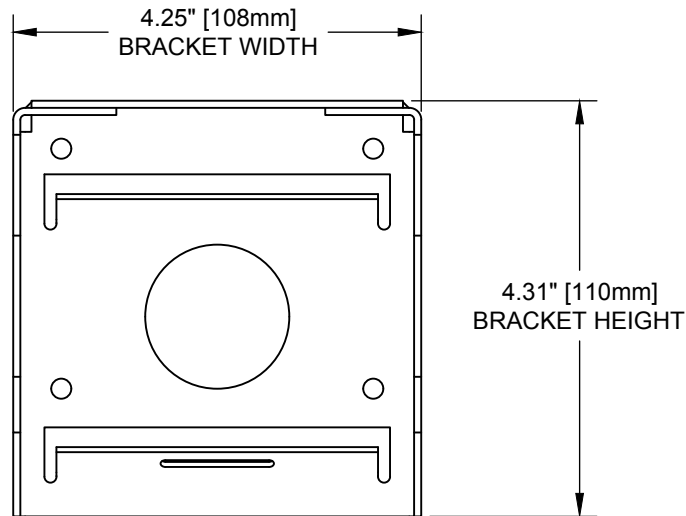


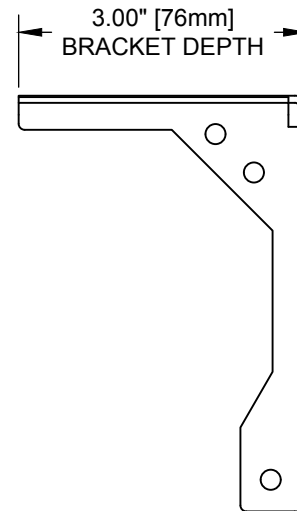
ISOMETRIC VIEW
SCALE 1:4



PLAN VIEW



SECTION VIEW



ELEVATION VIEW

ROLLER 100/150/300 JAMB SUB-BRACKET

SCALE: 1/2

DRAWING #:

085509

REVISION: A