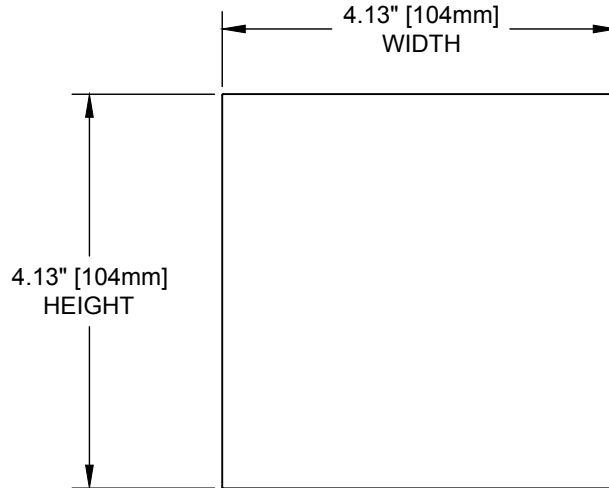


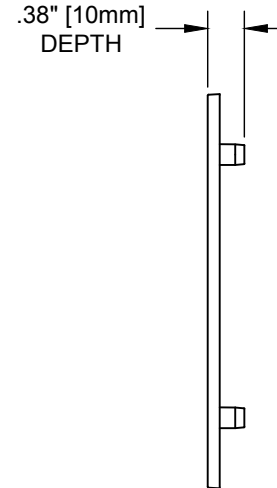
ISOMETRIC VIEW



PLAN VIEW



SECTION VIEW



ELEVATION VIEW

NOTE:

1. AVAILABLE IN BLACK, BRONZE, SILVER AND WHITE

4" FASCIA END CAP

SCALE: 1/2

DRAWING #: 085609

REVISION: A