

Lutron Avant Wood Blinds

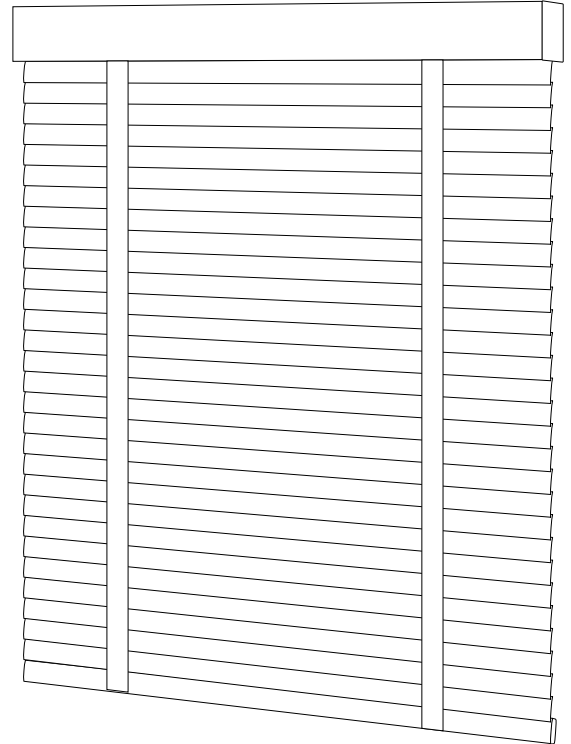
Wood Blinds are operated by quiet, precision control drives. The drive is housed in the headrail and provides independent control of the lift and tilt. Lift and tilt positions can be stored as a preset and can be recalled with the touch of a button.

Aesthetics

- A wide variety of slat finishes are available; paints and stains
- Decorative tapes are available to conceal operational cords while adding a colorful accent to the blinds
- Three optional valance styles are available
- Aluminum headrail provides clean minimalist look for applications without a valance
- Low-profile mounting brackets and blind drive controls minimize light gap at the top of the headrail

Design

- Independent lift control adjusts height of blinds and provides access to the window without affecting tilt
- Tilt can be adjusted independent of lift to vary the privacy level at any blind position
- Blinds go to a pre-determined height and tilt angle when a preset is recalled
- Multiple presets can be defined for the same blind or group of blinds
- Compatible with Sivoia QS and Sivoia QS Wireless systems
- Wood blind components designed for ultra-quiet operation (will not exceed 44 dBA measured 3 ft (1 m) from drive unit)
- Simple installation for both inside mount and outside mount applications
- Provides maximum window coverage with the smallest possible light gaps; 1/16 in (1.6 mm) from end caps to slat ends
- Basswood slat blinds available in sizes up to 108 in (2743 mm) wide x 120 in (3048 mm) high



Lutron Wood Blind

Job Name:

Model Numbers:

Job Number:

Specifications

Safety

- Fully compliant with WCMA safety standards for corded window treatments

Power

- Operating voltage: Low-voltage Class 2, 24-36 V $\overline{=}$ power supply required
- Power supply provides appropriate surge and Electro Static Discharge (ESD) protection for all devices in the system
- Power must be derived from a Lutron approved NEC[®] Class 2 power source

System Capacity

- System allows for a total of 100 devices, such as Sivoia QS window treatments (shades, blinds, drapery), a seeTouch QS keypad, a GRAFIK Eye QS, and QS power supplies
- System allows for a total of 100 zones, including Sivoia QS window treatments and GRAFIK Eye QS

Performance

- The blind drive (EDU) is capable of stopping with the accuracy of 0.125 in (3 mm) steps throughout the entire travel range of the blind
- Preset points can be located at any point between the open/close limits and are adjustable with a 5 second button push and hold from the seeTouch QS keypads or GRAFIK Eye QS
- Limits are programmable and adjustable from the EDU, wall-mounted seeTouch QS keypads, GRAFIK Eye QS, Radio Ra 2, or HomeWorks QS

Grouping

- System keypads can control any EDU, group, or subgroup without a separate group controller or additional interface
- System groups and subgroups can be reconfigured at the point of control without rewiring and without access to the EDU
- Controls within this system are able to operate any group or subgroup of EDUs, regardless of window treatment type

Integration

- EDUs seamlessly integrate with Lutron lighting controls without a separate interface
- Contact closure, R232, and ethernet are able to integrate with A/V equipment such as timeclocks and security systems

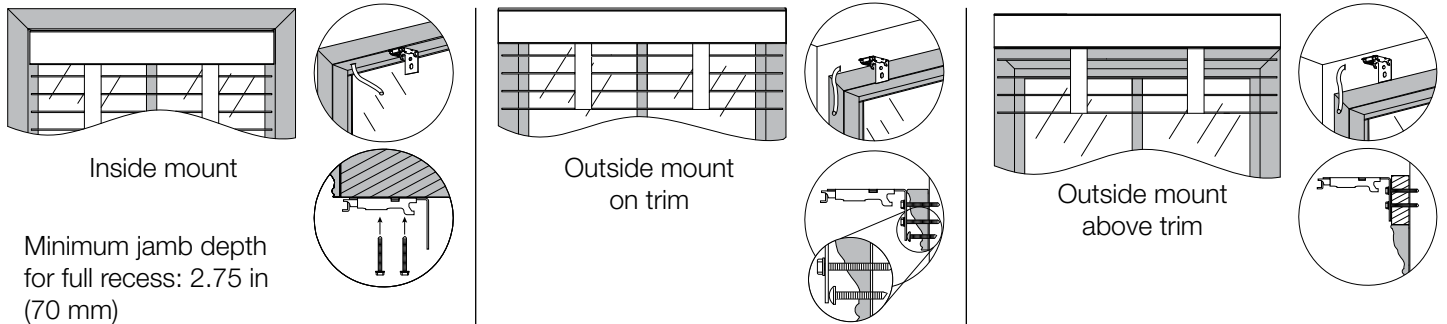
Controls

- Blinds can be controlled by built-in window treatment columns on a GRAFIK Eye QS, or by seeTouch QS keypads
- seeTouch QS keypads are low voltage
- Microprocessors are contained in the EDU, GRAFIK Eye QS, and seeTouch QS keypads, allowing high level programming from either source
- All Sivoia QS window treatments, GRAFIK Eye QS and seeTouch QS keypads are wired together on the same communications link

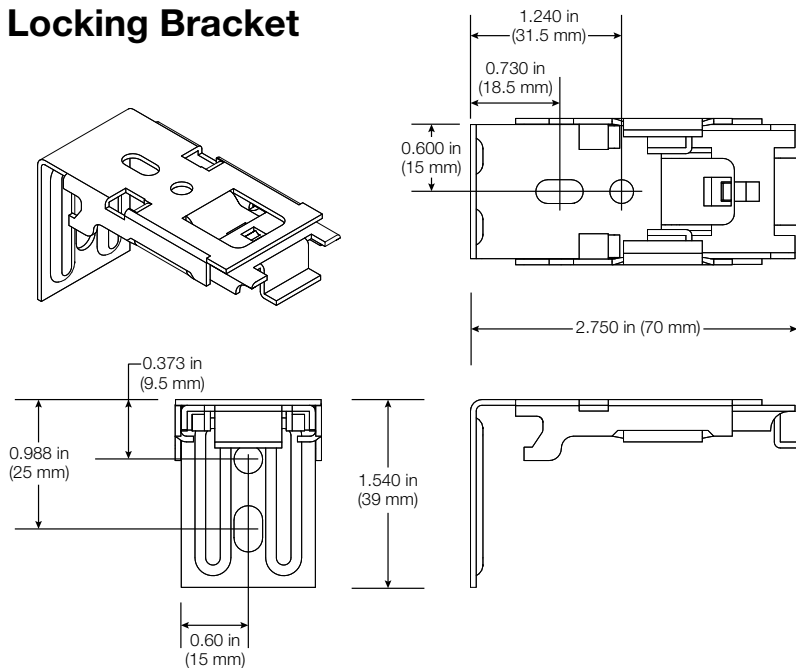
Job Name:	Model Numbers:
Job Number:	

Mounting Options

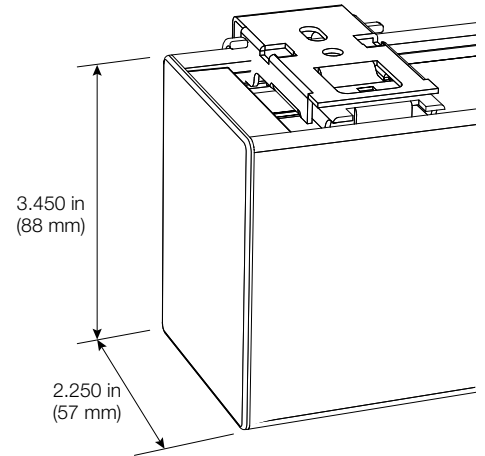
Brackets can be inside mounted, or outside mounted on the trim or above the trim.



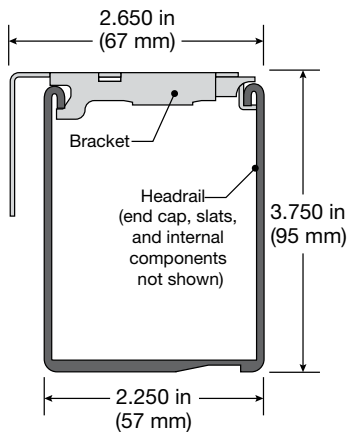
Locking Bracket



Headrail Dimensions

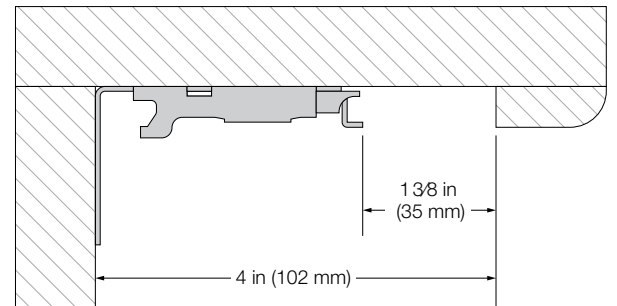


System Profile



Clearance Requirements

When installing the mounting brackets in a recess or pocket, there must be 1.375 in (35mm) clearance at the front (room side) of all brackets to allow for proper headrail-to-bracket engagement. The minimum recess or pocket depth that allows for proper clearance is 4 in (102 mm).



Job Name:

Model Numbers:

Job Number:

Slat Options

Basswoods - Available in a variety of stains and painted colors. Custom color matching finishes available. Customer's Own Material (COM) also available. Contact Customer Service for details.

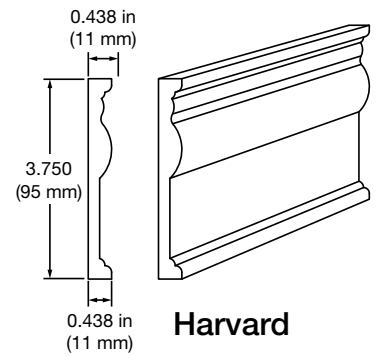
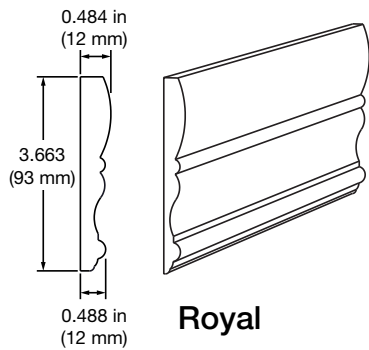
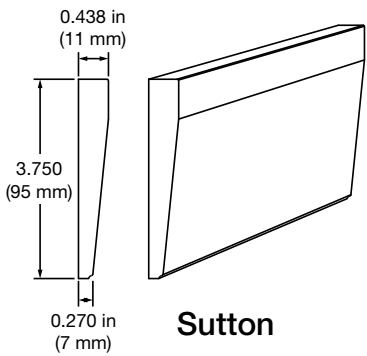
Decorative Tape Options

Decorative tapes are available to conceal the lift cords while adding a colorful accent. The tapes also enhance light blockage when slats are in the closed position.

Valance options

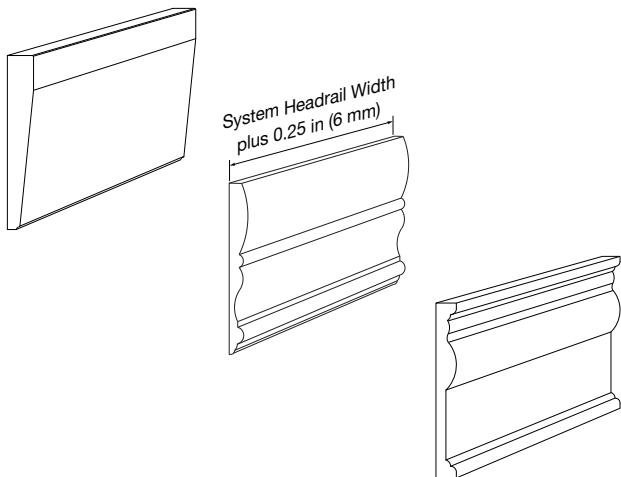
3 valance styles are available for both inside and outside mount applications.

Valance styles



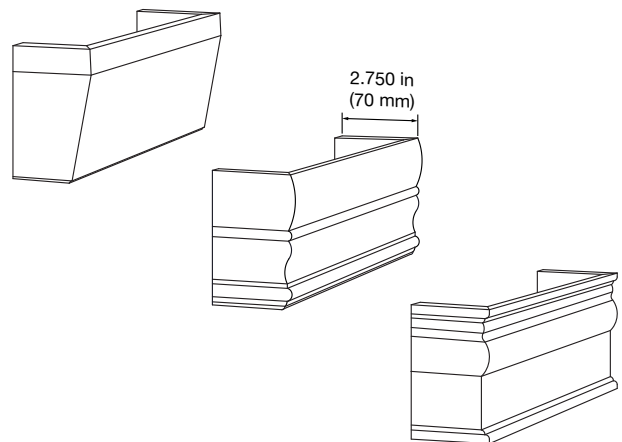
Inside Mount

Inside mount valances will be provided in a width of 0.25 in (6 mm) wider than the specified System Headrail Width to allow for mounting clearance.



Outside Mount

Outside mount valances have a standard 2.75 in (70 mm) return depth. However, the return can be specified in any dimension between 1 in (25 mm) and 10 in (254 mm), to meet the needs of the application.



Job Name:	Model Numbers:
Job Number:	