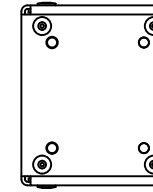


ISOMETRIC VIEW

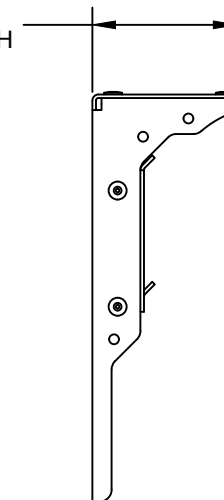
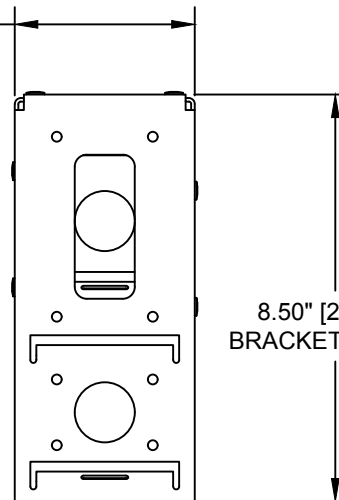


PLAN VIEW

3.75" [95mm]
BRACKET WIDTH

3.00" [76mm]
BRACKET DEPTH

8.50" [215mm]
BRACKET HEIGHT



SECTION VIEW

ELEVATION VIEW

ROLLER 100/150/300 DUAL NARROW BRACKET

SCALE: 1/4

DRAWING #:

085517

REVISION: A