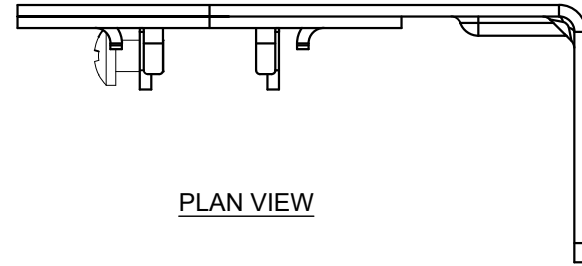
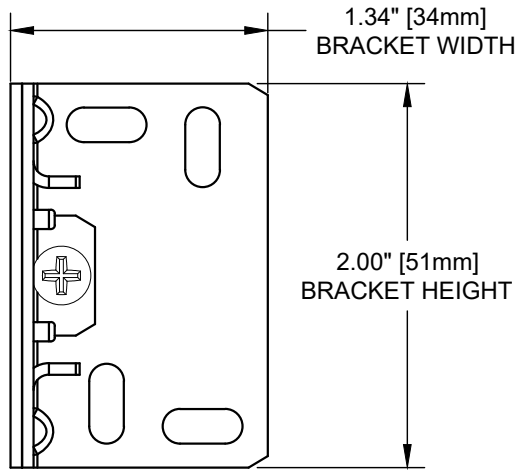


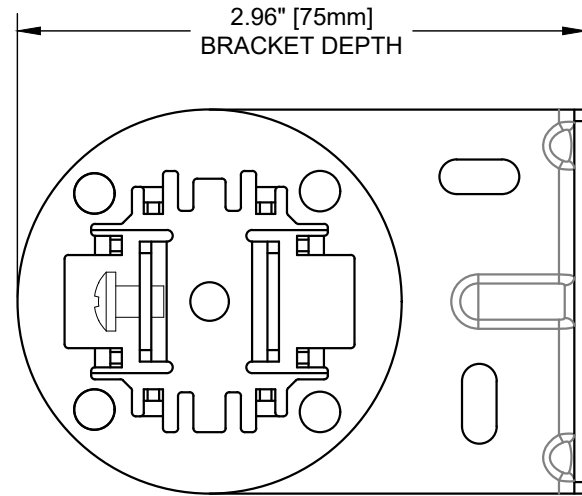
ISOMETRIC VIEW



PLAN VIEW



SECTION VIEW



ELEVATION VIEW

ROLLER 64 WIDR UNIVERSAL BRACKET

SCALE: 1:1

DRAWING #: 085672

REVISION: A



Lutron Electronics Co., Inc.
 7200 Suter Road | Coopersburg, PA 18036 | USA
 1(800) 446-1503 | Fax: (610) 282-7439
<http://www.lutron.com>

DETAIL DRAWING