

Lutron | Tensioned Roller Shade (4.75 inch frame)

Tensioned Roller shades utilize the ultra-quiet, precision controlled Drive. The tensioned roller shade Drive is housed inside the frame assembly and controls the movement of the shade, keeps track of the shade's position, and adjusts to the user's desired positions.

Aesthetics

- Fascia eliminates light gaps around fabric when closed
- Concealed cable guides maximize view through skylight when open
- Wide variety of high performance fabrics to enhance décor
- Fiberglass based fabrics available for sheer, dim-out, and blackout

Design

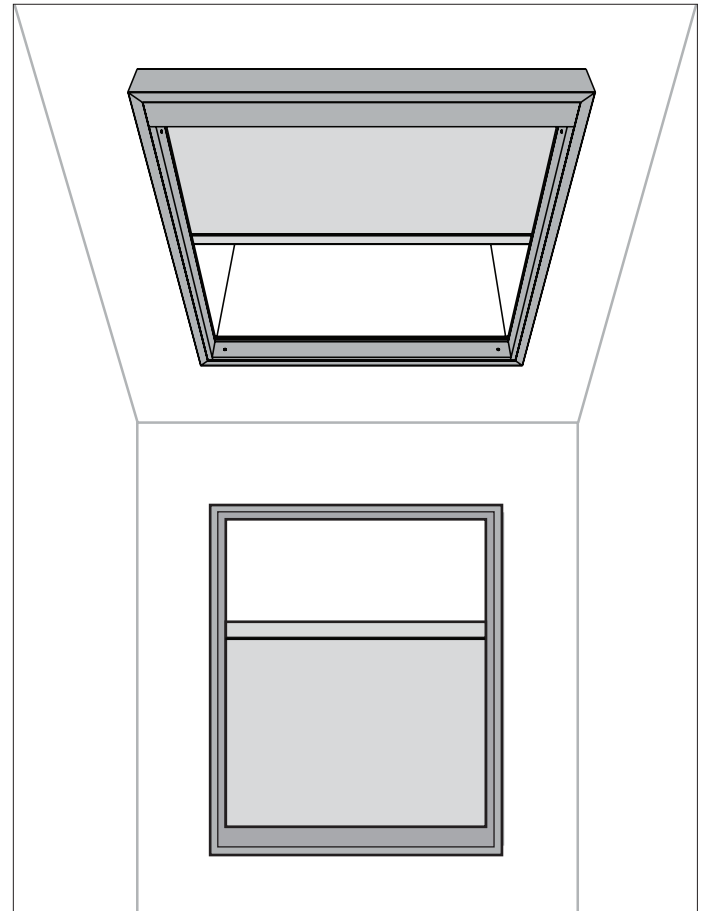
- Unique tension-absorbing frame eliminates stress on the surrounding ceiling structure
- Reliable performance under extreme temperatures

Control

- Tensioned roller shades are compatible with QED, QS and QS Wireless drive units
- Tensioned shade components designed for ultra-quiet operation (will not exceed 44 dBA measured 3 ft (1 m) from the EDU)

Installation

- Flexible installation from -135° to $+135^{\circ}$
- Inside, recessed, and surface mounting options allow system to fit a wide variety of skylight and window applications
- Can be shipped pre-assembled or as components to maximize on-site installation convenience and time savings (Refer to SCT for your application).



Lutron Tensioned Roller Shade

Job Name:

Model Numbers:

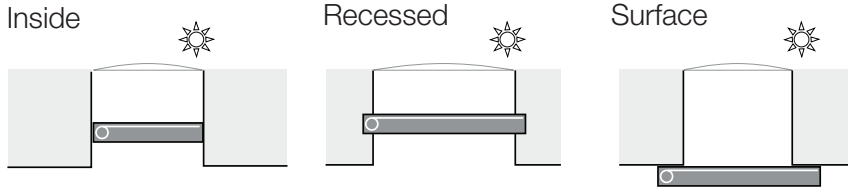
Job Number:

Shade options

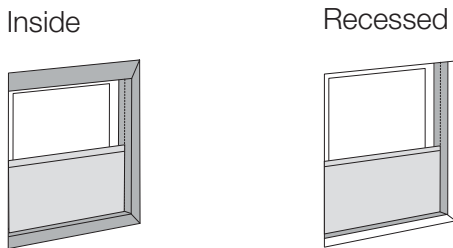
Mounting options

The frame can be mounted inside of, recessed into, or outside of the window opening. It can also be mounted inside, or recessed into a window frame.

Skylight Mounts

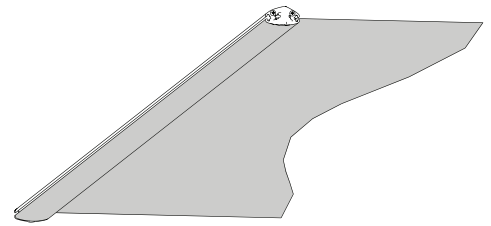


Window Mounts



Hem bar

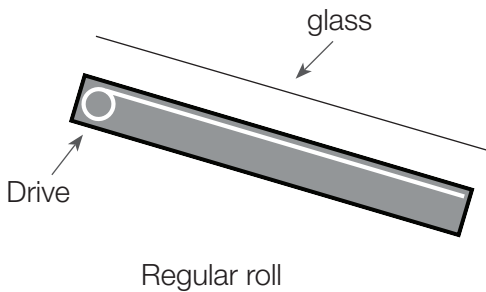
Half-wrap hem bar



Looking up

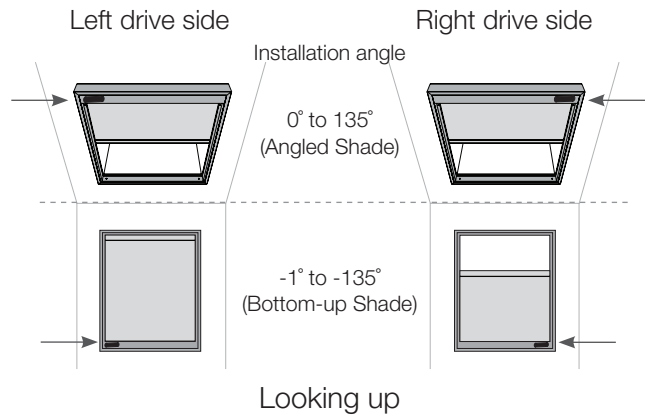
Fabric roll orientation

Fabric unwinds from roller closest to the glass.



Drive side options

Drive can be located on the left or right side of the shade.



Fabric options

Tensioned roller shades are available in a wide variety of fabric types.

Sheer – UV protection, translucent

Dim-out – UV protection, minimal translucence

Blackout – Maximum UV protection, complete light block

NOTE

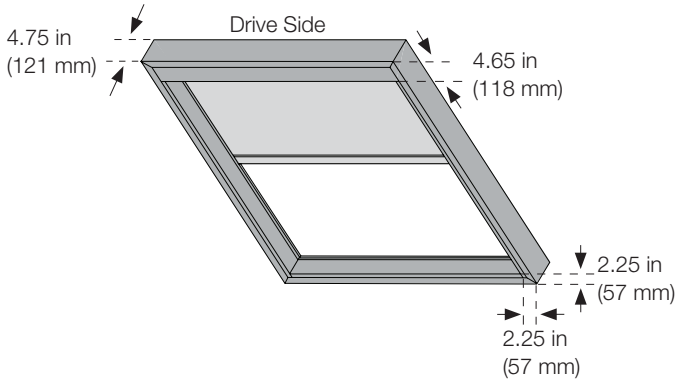
For complete fabric selection, please consult the SCT or customer service.

Job Name:	Model Numbers:
Job Number:	

Frame Information

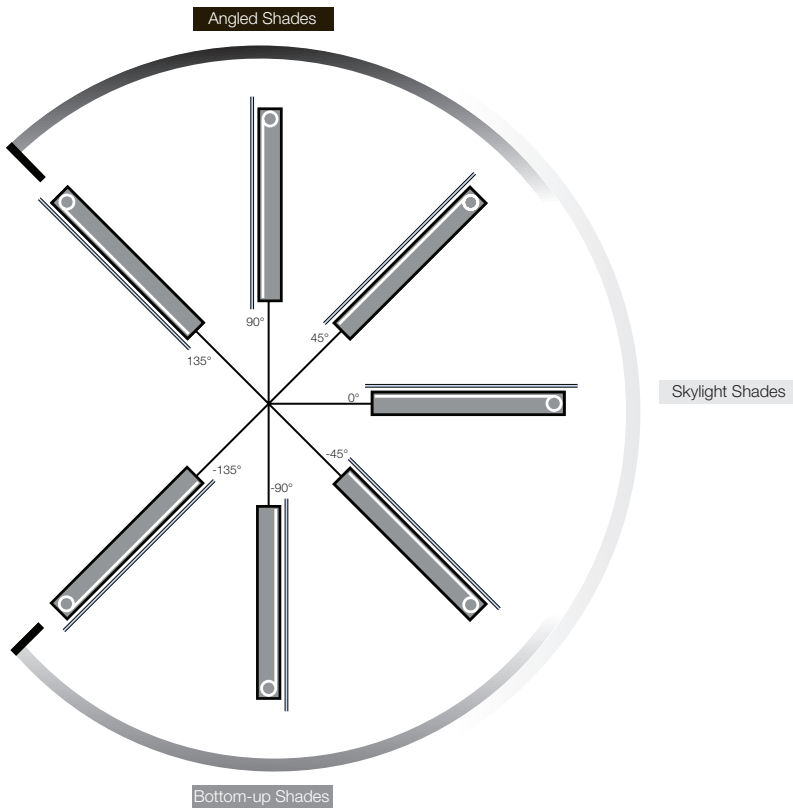
System dimensions

System is concealed within its frame. Frame thickness and depth are standard regardless of system size.



Angles of Installation

Frame can be installed at any angle between -135 and +135. It may be used for angled windows, skylights or bottom-up applications.



Shipping options

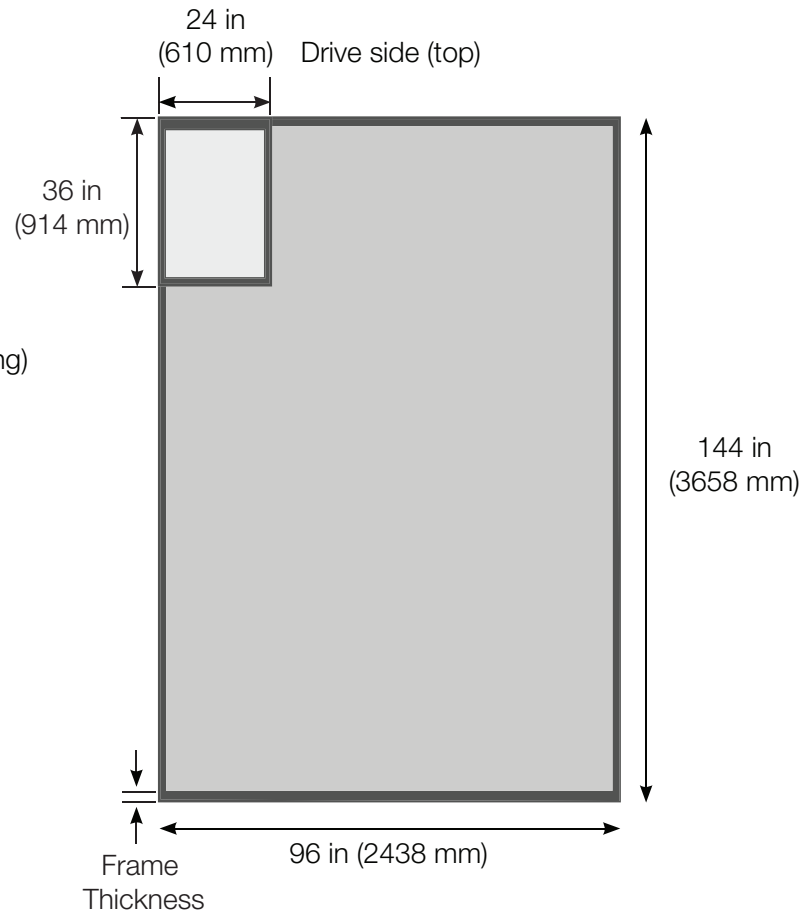
System ships pre-assembled (units up to 30 sq ft [2.8 sq m]) or as components. (Refer to Lutron Shade Configuration Tool (SCT) for your application).

Job Name:	Model Numbers:
Job Number:	

System parameters

This chart illustrates general system dimensions of tensioned roller shade system. System contains frame and shade.

- Minimum system size:
24 in wide x 36 in long (610 mm wide x 914 mm long)
- Maximum system size:
96 in wide x 144 in long
(2438 mm wide x 3658 mm long)
- Frame thickness:
Drive end: 4.65 in (118 mm)
Non-drive end and sides: 2.25 in (57 mm)



NOTE

Tensioned roller shade dimension limitations are a function of fabric selection and application angle. Please consult the SCT or customer service for details.

Job Name:	Model Numbers:
Job Number:	