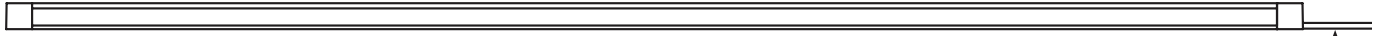


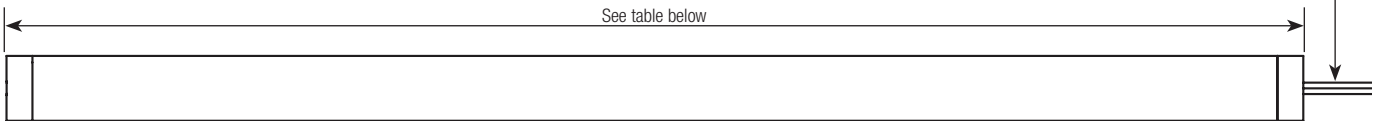


DIMENSIONS

SIDE VIEW

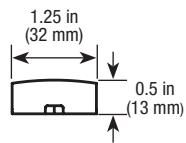


FRONT VIEW

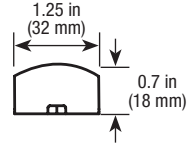


END VIEW

Frosted or Clear



Diffused



LENGTH OPTION	DIMENSION – inch (mm)	
	WITHOUT END CAPS	WITH END CAPS
06	6 (152)	7 (192)
12	12 (305)	13 (344)
18	18 (457)	19 (497)
24	24 (610)	25 (649)
36	36 (914)	37 (954)
48	48 (1219)	49 (1259)

PRINCIPAL FEATURES

- Standard Lutron Hi-lume LED Drivers deliver continuous, flicker-free dimming from 100% down to 1% or 0.1% of measured light output.
- 50,000 hours rated LED system life (LED and driver).
- 95 CRI typical
- 24 V_{DC} constant voltage input to fixture.
- Title 24 compliant.
- Plastic removable end caps with aluminum extruded body.
- Diffused, frosted, or clear polymer lens.
- Available in multiple length options.
- Aluminum anodized finish available in silver. Painted white, black or brown finish.
- Low profile design.
- Standard mounting hardware included.
- Multiple fixtures can be linked together for seamless integration (daisy-chain).
- Angle brackets available for 30° and 60° mounting.
- 2-Wire forward phase neutral based controls are generally for residential applications. 3-Wire and EcoSystem controls are generally for commercial applications.
- Standard 6 ft (1.8 m) 18 AWG (1.0 mm²) cord included (cannot be routed through walls).
- UL and cUL Listed.
- RoHS compliant.
- Lumen maintenance: L70 at 104 °F (40 °C) – 60,000 hours.
- Ambient operating temperature: 32 °F to 104 °F (0 °C to 40 °C).
- Suitable for damp locations per UL 1598 (not including areas with swimming pools).
- Clothes closet rated per UL 2108.

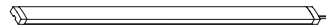
COMPATIBLE CONTROLS

For a list of compatible controls, visit www.lutron.com/lumaris

TYPICAL APPLICATION

See the Lumaris brochure P/N 367-2466.

- Diffused lens option conceals LED hot spots on high reflective surfaces and eliminates glare in direct line-of-sight applications.
- Frosted lens option provides soft, direct ambient/task lighting in low-profile or compact applications.
- Clear lens option delivers more light output and provides even, indirect illumination in linear and radial applications.



ORDERING GUIDES

1. FIXTURE CONFIGURATION

Select appropriate code in each column to complete model number. Example:

LU L — — L — X S X U — —

FAMILY	TYPE	LENS	LENGTH	LEDs	LAMP TYPE	VOLTAGE	MOUNTING	CONTROL OPTION	REGION	BRACKET	SHELL FINISH
LU Lumaris	L Linear Light Bar	F Frosted 250 lm/ft	06 (2.5 W) 6 in (152 mm)	L LED 95 CRI	27 5 W/ft 2700 K	X 24 V=	S Surface	X Standard (see driver kit options below)	U UL (North America)	XX Standard	SI Silver
		C Clear 300 lm/ft	12 (5 W) 12 in (305 mm)		30 5 W/ft 3000 K					AM Angle Mount 30°/60°	BL Black ¹
		D Diffused 250 lm/ft	18 (7.5 W) 18 in (457 mm)		35 5 W/ft 3500 K						WH White ¹
			24 (10 W) 24 in (610 mm)								BR Brown ¹
			36 (15 W) 36 in (914 mm)								
			48 (20 W) 48 in (1219 mm)								

¹ Not suitable for damp locations.

2. UL® LISTED LED DRIVER KIT

Select appropriate code in each column to complete model number. Driver Kit is required for operation of luminaire. Example:

FXD1 — U —

PRODUCT	DRIVER TYPES	REGION	CONTROL
FXD1 Fixtures Driver	40 Hi-lume 1% LED Driver (40 W)	U UL® Listed	F1 ² 2-Wire 120 V~
	96 Hi-lume Premier 0.1% Voltage LED Driver (96 W)		3U 3-Wire 120-277 V~
			EU EcoSystem 120-277 V~

How to specify:

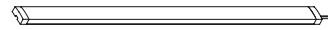
1. Calculate the total fixture wattage per zone.
2. Select quantity of LED Drivers with wattage ≥ total calculated above.
3. Repeat process for each zone.
8 ft (2.4 m) maximum fixture length per driver for Hi-lume 1% LED driver (40 W);
19 ft (5.8 m) maximum fixture length per driver for Hi-lume Premier 0.1% Voltage LED driver (96 W).
4. For Hi-lume 1% LED driver (40 W) or Hi-lume Premier 0.1% Voltage LED driver (96 W), see the table below for maximum wire run distance between fixture and driver.

	Hi-lume 1% LED Driver (40 W)	Hi-lume Premier 0.1% Voltage LED driver (96 W)
Model Numbers	LTEA4U1UKL-CV240 L3DA4U1UKL-CV240	L3D0-96W24V-U
Minimum Load	1 ft (0.3 m) 5 W	5 ft (1.5 m) 25 W
Maximum continuous fixture length	8 ft (2.4 m)	10 ft (3 m)
Combined Maximum fixture length	8 ft (2.4 m)	19 ft (5.8 m)

	Hi-lume 1% LED Driver (40 W)	Hi-lume Premier 0.1% Voltage LED Driver (96 W)
Wire Gauge ²	Maximum Wire Length (24 V=) ³	Maximum Wire Length (24 V=)
20 AWG (0.5 mm ²)	25 ft (7.6 m)	15 ft (4.6 m)
18 AWG (0.75 mm ²)	45 ft (13.7 m)	25 ft (7.6 m)
16 AWG (1.0 mm ²)	75 ft (22.9 m)	40 ft (12.2 m)
14 AWG (1.5 mm ²)	120 ft (36.6 m)	60 ft (18.3 m)
12 AWG (2.5 mm ²)	180 ft (54.9 m)	100 ft (30.5 m)

² Lutron recommends 18 AWG (0.75 mm²) solid wire between fixtures for typical installations. Maximum wire lengths include wires between fixtures.

³ The Maximum Wire Lengths above (which differ from the Hi-lume 1% LED driver [40 W] driver spec) have been tested and are approved by Lutron when Lumaris fixtures are used with the Hi-lume 1% LED driver (40 W) and are true for each of the V+ and V- runs.



PHOTOMETRIC DATA

24 in (610 mm), 2700 K, 10 W
FIXTURE WITH FROSTED LENS
(LULF24L27XSXU_-_)

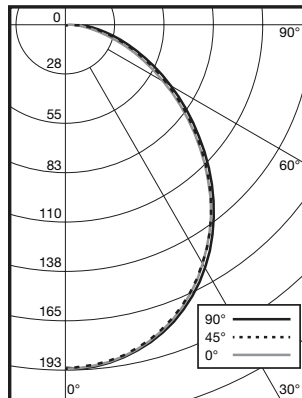
PHOTOMETRIC SUMMARY	
LIGHT OUTPUT (lm)	508
INPUT POWER (W)	9.4
EFFICACY (lm/W)	54.3
COLOR ACCURACY (CRI)	94.6
COLOR TEMPERATURE (K)	2700

(measured with a Goniophotometer)

ZONAL LUMEN SUMMARY		
ZONE	LUMEN (lm)	% LUMINAIRE
0-30	148	30.19
0-60	395	80.60
0-90	508	100.00
90-180	0	0.00
0-180	508	100.00

CANDELA PLOT

(measured with fixture mounted on the ceiling)



24 in (610 mm), 3500 K, 10 W
FIXTURE WITH FROSTED LENS
(LULF24L35XSXU_-_)

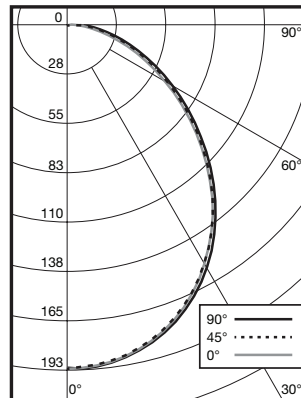
PHOTOMETRIC SUMMARY	
LIGHT OUTPUT (lm)	527
INPUT POWER (W)	9.3
EFFICACY (lm/W)	57.0
COLOR ACCURACY (CRI)	94.4
COLOR TEMPERATURE (K)	3500

(measured with a Goniophotometer)

ZONAL LUMEN SUMMARY		
ZONE	LUMEN (lm)	% LUMINAIRE
0-30	150	30.09
0-60	402	80.59
0-90	527	100.00
90-180	0	0.00
0-180	527	100.00

CANDELA PLOT

(measured with fixture mounted on the ceiling)



24 in (610 mm), 2700 K, 10 W
FIXTURE WITH DIFFUSED LENS
(LULD24L27XSXU_-_)

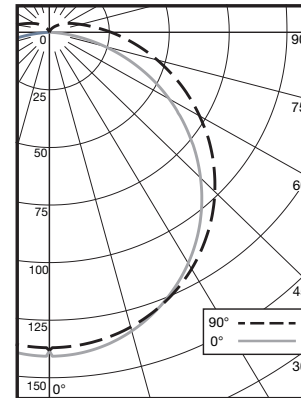
PHOTOMETRIC SUMMARY	
LIGHT OUTPUT (lm)	472
INPUT POWER (W)	8.93
EFFICACY (lm/W)	52.9
COLOR ACCURACY (CRI)	94.4
COLOR TEMPERATURE (K)	2700

(measured with a Goniophotometer)

ZONAL LUMEN SUMMARY		
ZONE	LUMEN (lm)	% LUMINAIRE
0-30	107	23.2
0-60	316	68.4
0-90	432	93.6
90-180	29	6.3
0-180	462	99.9

CANDELA PLOT

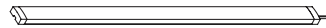
(measured with fixture mounted on the ceiling)



CONE OF LUMINANCE			CONE OF LUMINANCE			CONE OF LUMINANCE		
Height (ft)	Nadir (fc)	50% Lighted Diameter (ft)	Height (ft)	Nadir (fc)	50% Lighted Diameter (ft)	Height (ft)	Nadir (fc)	50% Lighted Diameter (ft)
1	196	1.19	1	198	1.19	1	138	1.26
2	49.1	2.39	2	49.5	2.39	2	34.5	2.52
3	21.8	3.58	3	22	3.58	3	15.4	3.78
4	12.3	4.77	4	12.4	4.77	4	8.64	5.04
6	5.46	7.16	6	5.51	7.16	6	3.84	7.56
8	3.07	9.54	8	3.1	9.55	8	2.16	10.1
10	1.96	11.9	10	1.98	11.9	10	1.38	12.6

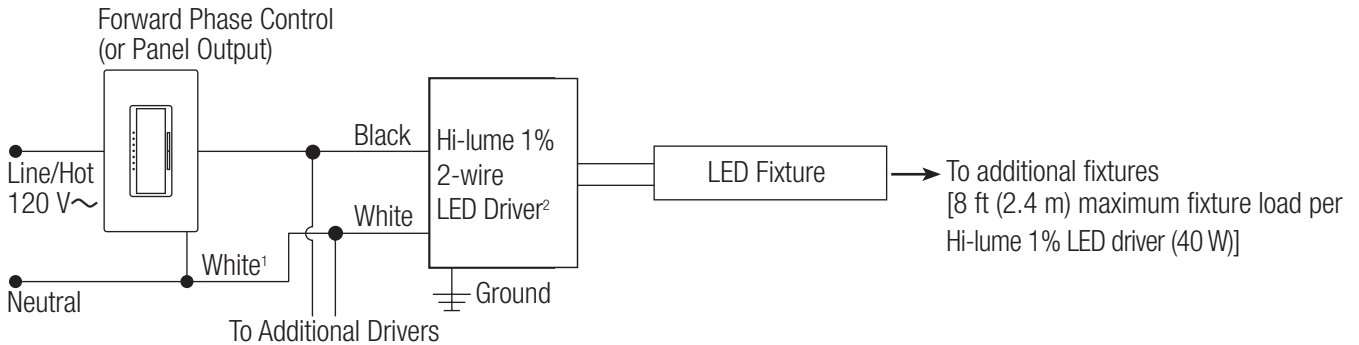
NOTES:

- Photometric data and IES files for all products available upon request. Please e-mail fixtures@lutron.com or contact Lutron Technical Support at 1.800.523.9466.
- Photometric test results from LM-79 reports.

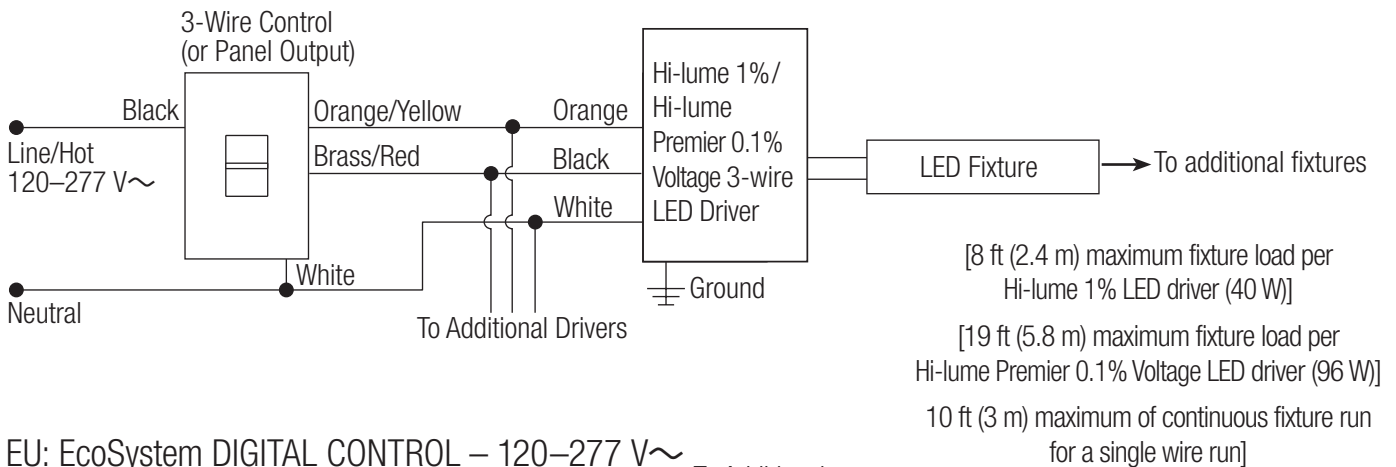


CIRCUIT DIAGRAMS

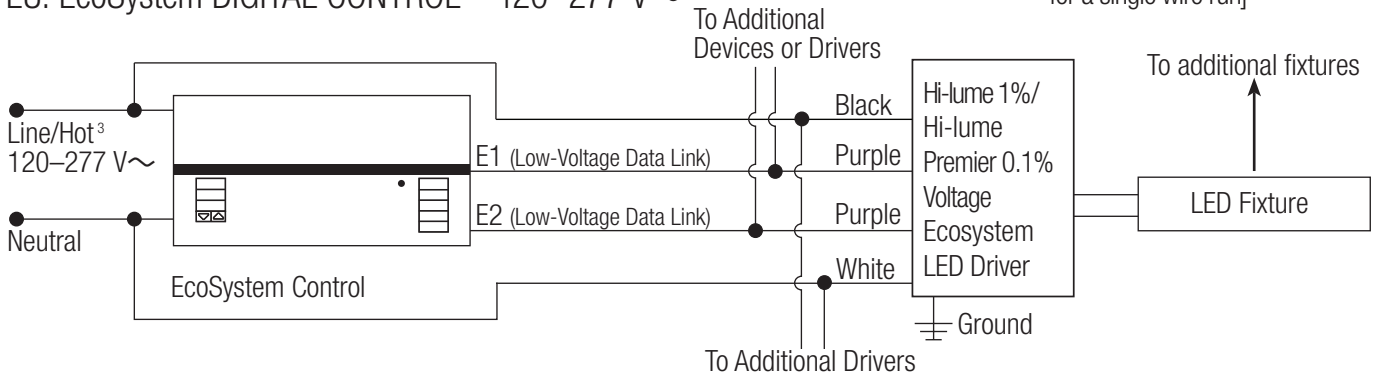
F1: 2-WIRE FORWARD PHASE CONTROL (WITH NEUTRAL) – 120 V~ ONLY



3U: 3-WIRE CONTROL – 120–277 V~



EU: EcoSystem DIGITAL CONTROL – 120–277 V~



¹ Neutral may be optional for certain control types. See product specification submittal for specific wiring diagrams.
² Hi-lume 1% driver (40 W) driver only for 2-wire forward phase controls.
³ Refer to the specific Lutron control specifications for exact input voltage rating of the product.

- Contact Ivalo Customer Service for custom mounting options or for compliance with non-Lutron drivers.
- For a list of compatible controls and control ratings, visit www.lutron.com/lumaris or contact the LED Control Center of Excellence at 1.877.DIM.LED8 or leds@lutron.com



Lutron Electronics Co., Inc.
 7200 Suter Road, Coopersburg, PA 18036
 Telephone 610.282.7472 Fax 610.282.7600
fixtures@lutron.com

For limited 10-year warranty details, see
www.lutron.com/TechnicalDocumentLibrary/3683454.pdf
 Specification subject to change without notice

Lutron, Lutron, EcoSystem, Lumaris, Hi-lume, IVALO, and IVALO Lighting are trademarks of Lutron Electronics Co., Inc., registered in the U.S. and other countries. Lutron Ivalo Collection is a trademark of Lutron Electronics Co., Inc.

©2014-2018 Lutron Electronics Co., Inc.