

Insulating Honeycomb Shades & Wood Blinds

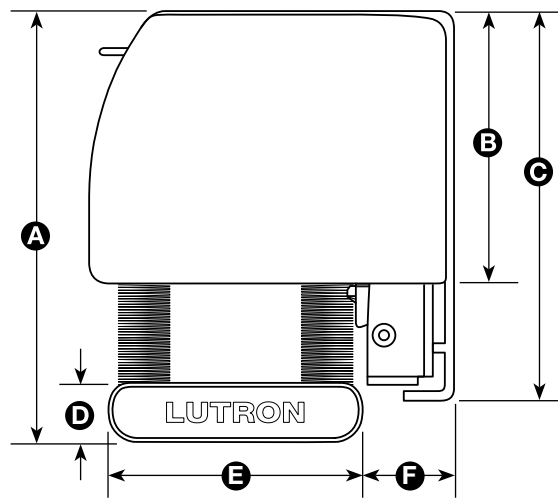
Architectural Honeycomb

Use these stacking guidelines if you plan on installing your insulating honeycomb shade in a place where you need to raise the entire shade above an obstacle (such as above doors that open). These guidelines will help you determine how high to mount your shade, so that the shade will clear the obstacle when it's fully raised.

IMPORTANT:

The stack height values shown below are estimates. Due to natural variation in fabrics, actual stack heights may vary from shade to shade. Lutron recommends allowing for an additional 1 in (25 mm) of stack height to account for natural fabric variations.

Insulating honeycomb shades are not intended for pocket installations.



- A = Stack Height:** the total height of the fully raised shade from the top of the top back cover to the bottom of the bottom bar
- B = 2 1/8 in. (54 mm)** headrail height
- C = 3 in. (76 mm)** top back cover height
- D = 7/16 in. (11 mm)** bottom bar height
- E = 1 7/8 in. (48 mm)** bottom bar depth
- F = 11/16 in. (17.5 mm)** Clearance, mounting surface to bottom bar

| Stack Height A | | | | | | |
|-----------------------|-------------------|-------------------|-------------------|------------------|-------------------|-------------------|
| Shade Height | Madrid | | Kyoto | | Oslo | Aspen |
| | Light-Filtering | Blackout | Light-Filtering | Blackout | Light-Filtering | Blackout |
| 12 in (305 mm) | 3 in (77 mm) | 2 7/8 in (74 mm) | 3 in (77 mm) | 2 7/8 in (74 mm) | 2 7/8 in (74 mm) | 3 in (77 mm) |
| 24 in (610 mm) | 3 1/4 in (83 mm) | 3 in (77 mm) | 3 1/4 in (83 mm) | 3 in (77 mm) | 3 1/8 in (80 mm) | 3 1/4 in (83 mm) |
| 36 in (914 mm) | 3 5/8 in (93 mm) | 3 1/4 in (83 mm) | 3 1/2 in (89 mm) | 3 1/8 in (80 mm) | 3 3/8 in (86 mm) | 3 1/2 in (89 mm) |
| 48 in (1219 mm) | 3 7/8 in (99 mm) | 3 3/8 in (86 mm) | 3 7/8 in (99 mm) | 3 1/4 in (83 mm) | 3 1/2 in (89 mm) | 3 7/8 in (99 mm) |
| 60 in (1524 mm) | 4 1/8 in (105 mm) | 3 1/2 in (89 mm) | 4 1/8 in (105 mm) | 3 1/2 in (89 mm) | 3 3/4 in (96 mm) | 4 1/8 in (105 mm) |
| 72 in (1829 mm) | 4 3/8 in (112 mm) | 3 3/4 in (96 mm) | 4 3/8 in (112 mm) | 3 5/8 in (93 mm) | 4 in (102 mm) | 4 1/2 in (115 mm) |
| 84 in (2184 mm) | 4 5/8 in (117 mm) | 3 7/8 in (99 mm) | 4 5/8 in (117 mm) | 3 3/4 in (96 mm) | 4 1/4 in (108 mm) | 4 3/4 in (121 mm) |
| 96 in (2438 mm) | 4 7/8 in (124 mm) | 4 in (102 mm) | 4 7/8 in (124 mm) | 3 7/8 in (99 mm) | 4 1/2 in (115 mm) | 5 1/8 in (131 mm) |
| 104 in (2642 mm) | 5 1/8 in (131 mm) | 4 1/8 in (105 mm) | 5 1/8 in (131 mm) | 4 in (102 mm) | 4 5/8 in (117 mm) | 5 1/4 in (134 mm) |

Insulating Honeycomb Shades & Wood Blinds

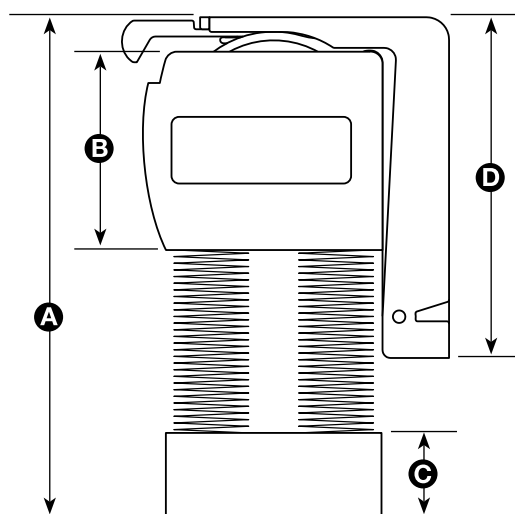
Standard Honeycomb

Use these stacking guidelines if you plan on installing your insulating honeycomb shade in a place where you need to raise the entire shade above an obstacle (such as above doors that open). These guidelines will help you determine how high to mount your shade, so that the shade will clear the obstacle when it's fully raised.

IMPORTANT:

The stack height values shown below are estimates. Due to natural variation in fabrics, actual stack heights may vary from shade to shade. Lutron recommends allowing for an additional 1 in (25 mm) of stack height to account for natural fabric variations.

Insulating honeycomb shades are not intended for pocket installations.



- A = Stack height:** the total height of the fully raised shade from the top of the bracket to the bottom of the bottom rail
- B = 1 5/8 in. (42 mm)** headrail height
- C = 5/8 in. (16 mm)** bottom rail height
- D = 2 5/8 in. (67 mm)** bracket height

| Shade Height | Stack Height A | | | | | |
|------------------|-----------------------|-------------------|-------------------|-------------------|-------------------|-------------------|
| | Cyprus | | Monaco and Rio | | | Napa |
| | Light-Filtering | Room-Darkening | Light-Filtering | Room-Darkening | Double-Cell | Light-Filtering |
| 12 in (305 mm) | 2 3/4 in (70 mm) | 2 5/8 in (67 mm) | 2 3/4 in (70 mm) | 2 7/8 in (74 mm) | 3 1/8 in (80 mm) | 2 7/8 in (74 mm) |
| 24 in (610 mm) | 2 7/8 in (74 mm) | 2 7/8 in (74 mm) | 3 in (77 mm) | 3 1/8 in (80 mm) | 3 1/2 in (89 mm) | 3 1/4 in (83 mm) |
| 36 in (914 mm) | 3 1/8 in (80 mm) | 3 in (77 mm) | 3 3/8 in (86 mm) | 3 1/4 in (83 mm) | 3 7/8 in (99 mm) | 3 5/8 in (93 mm) |
| 48 in (1219 mm) | 3 3/8 in (86 mm) | 3 1/4 in (83 mm) | 3 5/8 in (93 mm) | 3 1/2 in (89 mm) | 4 1/8 in (105 mm) | 4 1/8 in (105 mm) |
| 60 in (1524 mm) | 3 1/2 in (89 mm) | 3 5/8 in (86 mm) | 3 3/8 in (99 mm) | 3 3/4 in (96 mm) | 4 1/2 in (115 mm) | 4 3/8 in (111 mm) |
| 72 in (1829 mm) | 3 3/4 in (96 mm) | 3 1/2 in (89 mm) | 4 in (102 mm) | 4 in (102 mm) | 4 7/8 in (124 mm) | 4 3/4 in (96 mm) |
| 84 in (2134 mm) | 3 7/8 in (99 mm) | 3 3/4 in (96 mm) | 4 1/4 in (108 mm) | 4 1/4 in (108 mm) | 5 1/4 in (134 mm) | 5 1/8 in (131 mm) |
| 96 in (2438 mm) | 4 1/8 in (105 mm) | 3 7/8 in (99 mm) | 4 5/8 in (118 mm) | 4 1/2 in (115 mm) | 5 5/8 in (143 mm) | 5 1/2 in (140 mm) |
| 104 in (2642 mm) | 4 1/4 in (108 mm) | 4 1/4 in (108 mm) | 4 3/4 in (121 mm) | 4 5/8 in (117 mm) | 5 7/8 in (149 mm) | 5 3/4 in (146 mm) |

Stack Guide

Insulating Honeycomb Shades & Wood Blinds

Wood Blinds

Use these stacking guidelines if you plan on installing your wood blind in a place where you need to raise the entire blind above an obstacle (such as above doors that open). These guidelines will help you determine how high to mount your blind, so that the blind will clear the obstacle when it's fully raised.

IMPORTANT:

The stack height values shown below are estimates. Due to natural variation in basswood, actual stack heights may vary from blind to blind.

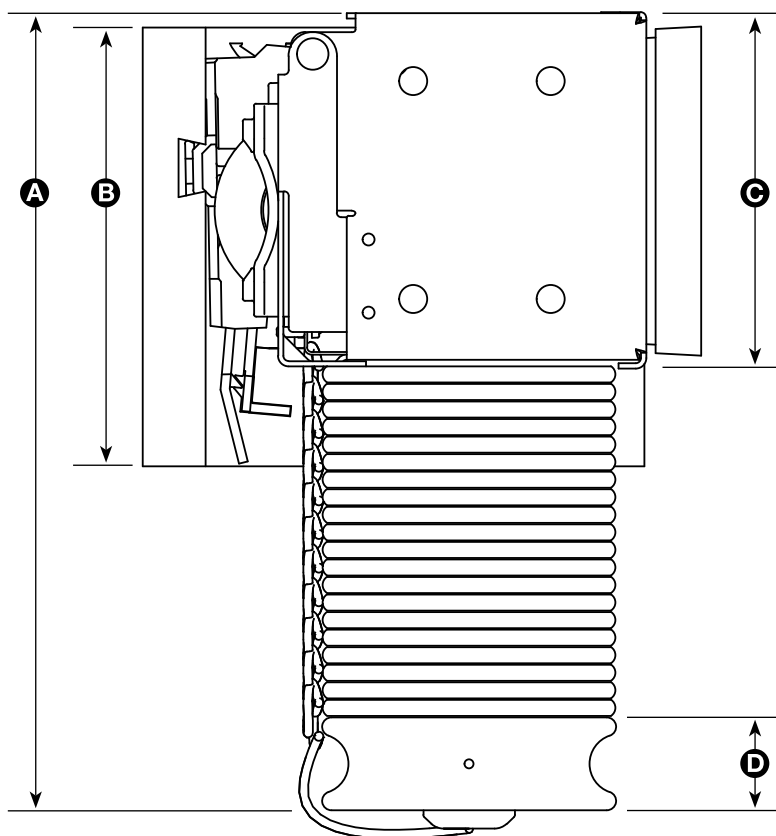
Wood blinds are not intended for pocket installations.

A = Stack height:
the total height of the fully raised blind from the top of the bracket to the bottom of the bottom rail

B = 3 in. (76mm)
valance height

C = 2 1/2 in. (62mm)
bracket height

D = 5/8 in. (16 mm)
bottom bar height



| Specified Blind Height | Estimated Stack Height A |
|------------------------|---------------------------------|
| 12 in (305 mm) | 3 7/8 in (99mm) |
| 24 in (610 mm) | 4 3/4 in (121 mm) |
| 36 in (914 mm) | 5 5/8 in (143mm) |
| 48 in (1219 mm) | 6 1/2 in (165mm) |
| 60 in (1524 mm) | 7 3/8 in (187 mm) |
| 72 in (1829 mm) | 8 1/4 in (210mm) |

