

## RadioRA 3 Outdoor Plug-in Switch

The RadioRA 3 outdoor plug-in switch controls outdoor loads, both directly or wirelessly as part of a RadioRA 3 lighting control system (using Lutron patented Clear Connect – Type A RF Technology).

A solid core construction protects the internal electronics, so it is built to withstand severe weather, season after season. It is ideal for smart control of landscape and string lighting, holiday lights and inflatables, and some motors and pumps.

### Features

- When used with the RadioRA 3 processor, the RadioRA 3 outdoor plug-in switch can be incorporated into lighting scenes, scheduled for daily events, and controlled from anywhere in the world.<sup>1</sup>
- Lutron patented Clear Connect – Type A RF Technology works through walls and floors.
- Works with 120 V~ outdoor lighting, motors and pumps, and outdoor lighting low-voltage transformers. See **Load Types and Ratings** for more details.
- The unit has been designed to withstand all weather conditions. The internal electronics are fully encapsulated to keep water, humidity, dust, and dirt from ever reaching or degrading the product electronics.



### Model Number

RR-15OUT-BL      Outdoor Plug-in Switch

<sup>1</sup> The Lutron app is required for setup and use with the RadioRA 3 processor. The Lutron app is compatible with iOS® and Android™ devices. See the Apple® App Store and Google® Play for the minimum version requirements.

## RadioRA 3 Outdoor Plug-in Switch

### Specifications

#### Regulatory Approvals

- cULus Listed
- FCC approved. Complies with the limits for a Class B digital device, pursuant to Part 15 of the FCC Rules
- Industry Canada certified
- IFTEL certified

#### Power

- Operating voltage: 120 V~ 50/60 Hz
- Operating current (with no load connected): 6.8 mA @ 120 V~

#### Key Design Features

- Ingress Protection rating of IP66 for dirt, dust, moisture, rain, sprinklers, hoses, and snow.
- The RadioRA 3 outdoor plug-in switch always operates locally and does not require system control.
- Power failure memory: should power be interrupted, the outdoor plug-in switch will return to its previously set On or Off state prior to the interruption when power is restored.
- Multi-color indicator LED with status and error reporting.

#### System Communications and Capacity

- The RadioRA 3 outdoor plug-in switch is guaranteed to work up to 60 ft (18 m) line-of-sight or 30 ft (9 m) through walls (longer ranges are possible depending on conditions).

#### Environment

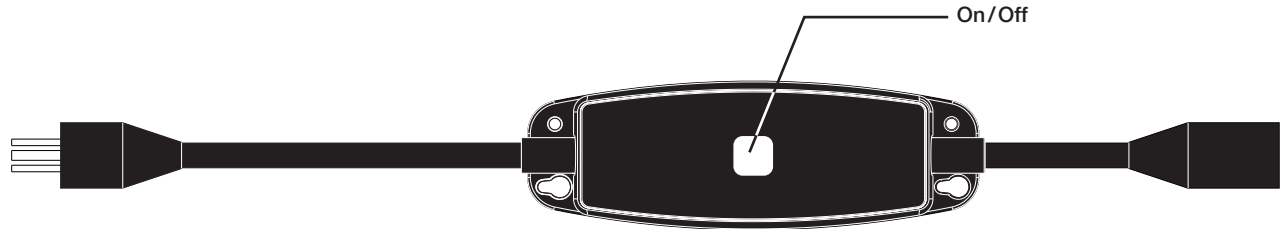
- Ambient operating temperature: -4 °F to 122 °F (-20 °C to 50 °C), 0% to 100% humidity, non-condensing.
- Intended for outdoor use in all weather conditions. See Installation Guide for how to properly install. Must be used with a GFCI protected outlet.

#### Load Types and Ratings

- Up to 15 A lighting loads
- Up to 1/2 HP motor and pump loads
- Up to 1200 VA (8 A) lighting transformer/magnetic ballast loads.

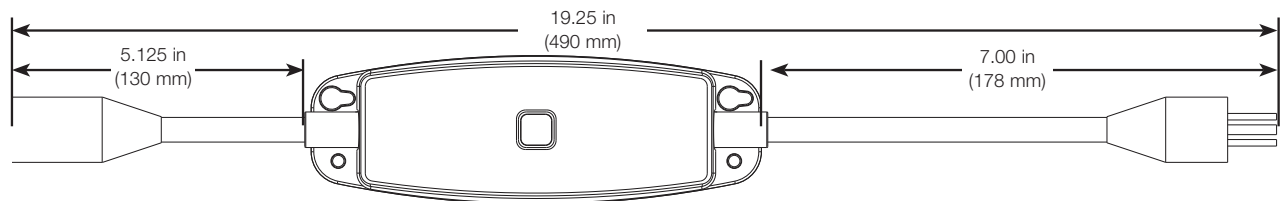
## RadioRA 3 Outdoor Plug-in Switch

### Operation

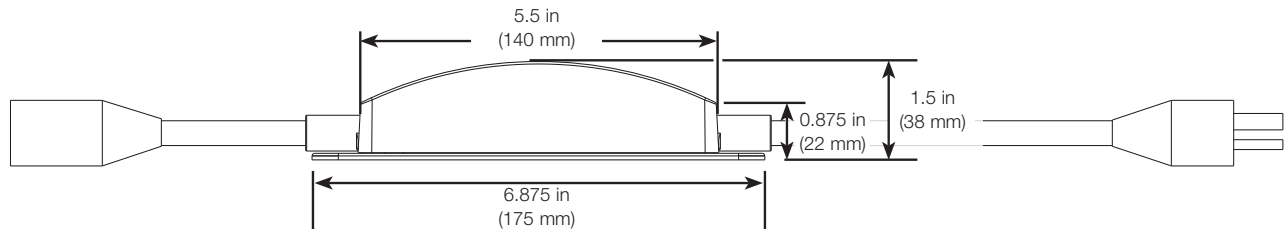


### Dimensions

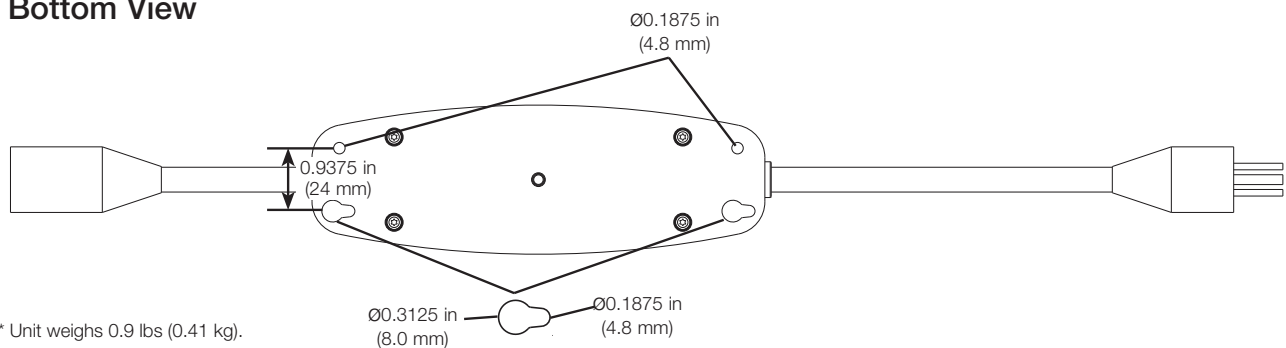
#### Top View



#### Side View



#### Bottom View



\* Unit weighs 0.9 lbs (0.41 kg).

The Lutron logo, Lutron, RadioRA 3, and Clear Connect are trademarks or registered trademarks of Lutron Electronics Co., Inc. in the US and/or other countries. Apple is a trademark of Apple Inc., registered in the U.S. and other countries. iOS is a registered trademark of Cisco in the U.S. and other countries and is used under license. All other product names, logos, and brands are property of their respective owners.