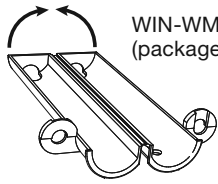


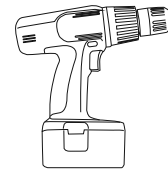
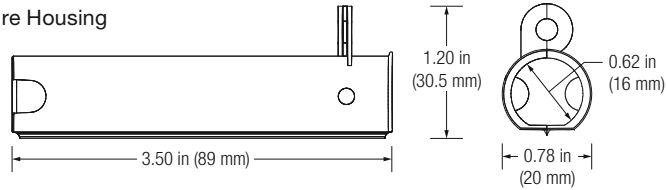
PALLADIOM SHADING SYSTEM

Wire Management System Wire Housing Installation Guide

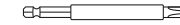
IMPORTANT: This wire management system is for NEC® Class 2/PELV wiring only



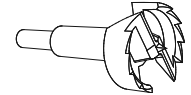
WIN-WM-BOX-10 - Wire Housing
(package of 10)



Power Drill

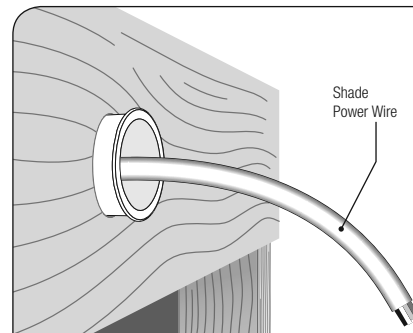
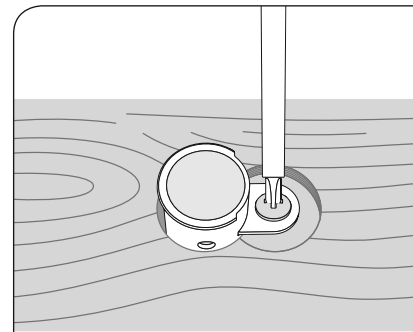
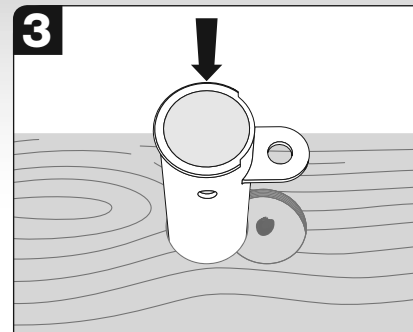
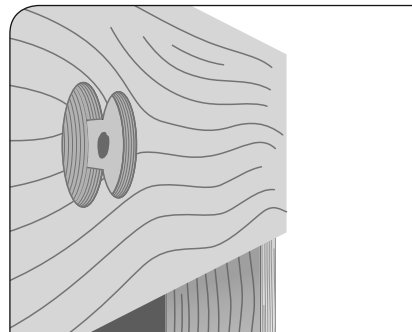
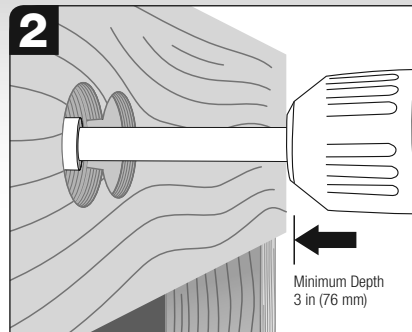
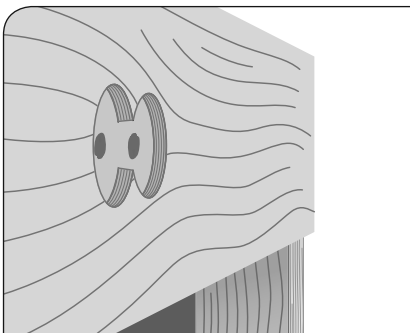
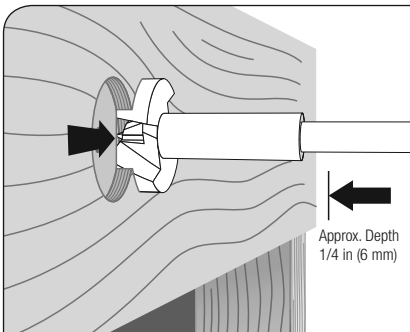
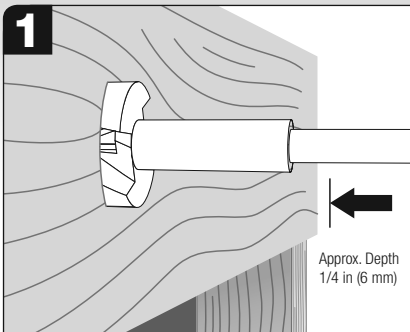


Phillips Driver Bit

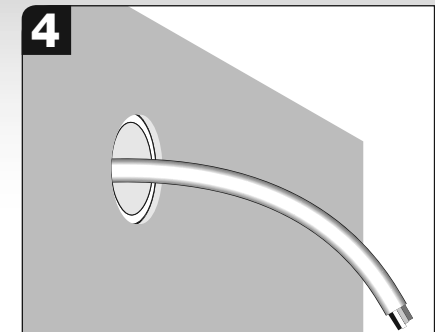


3/4 in (19 mm) Forstner Bit

Framed Wall



Finished Wall



Worldwide Headquarters | USA

Lutron Electronics Co., Inc.
7200 Suter Road, Coopersburg, PA 18036-1299 USA
Customer Assistance: 1.844.LUTRON1 (588-7661)
lutron.com/help | support@lutron.com

EEA

Lutron NL B.V.
Herengracht 466
1017 CA Amsterdam
Netherlands (Importer)

United Kingdom

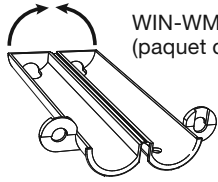
Lutron EA Ltd.
125 Finsbury Pavement, 4th floor
London EC2A 1NQ, UK
TEL: +44.(0)20.7702.0657 | FAX: +44.(0)20.7480.6899
Technical Support: +44.(0)20.7680.4481
FREEPHONE: 0800.282.107

PALLADIOM

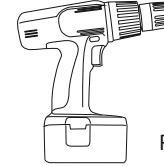
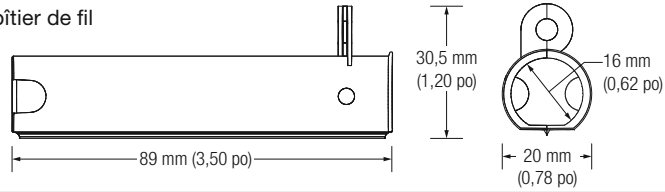
SYSTÈME DE STORE

Système de Gestion de Fil
Guide d'Installation du Boîtier de Fil

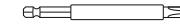
IMPORTANT: Ce système de gestion de fil est pour le câblage NEC® Classe 2 / PELV uniquement



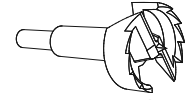
WIN-WM-BOX-10 - Boîtier de fil
(paquet de 10)



Perceuse

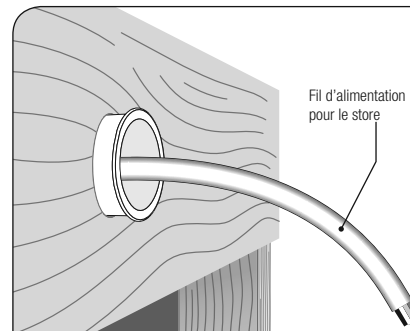
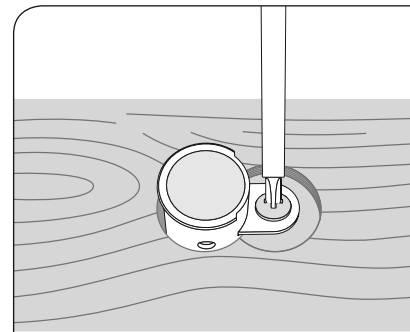
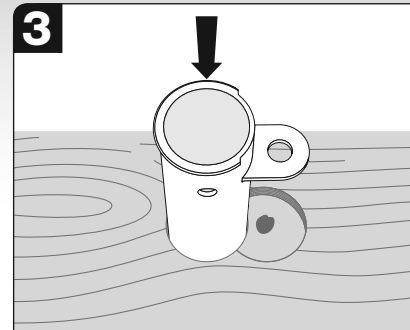
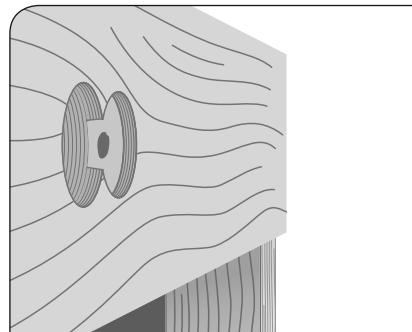
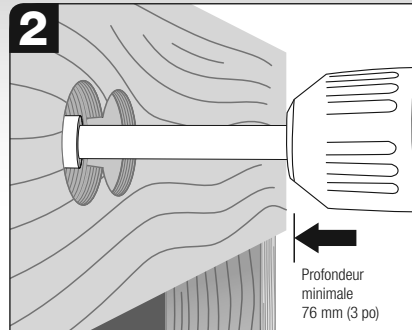
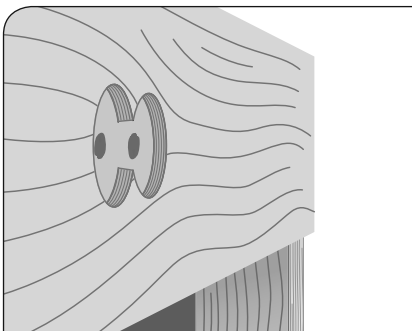
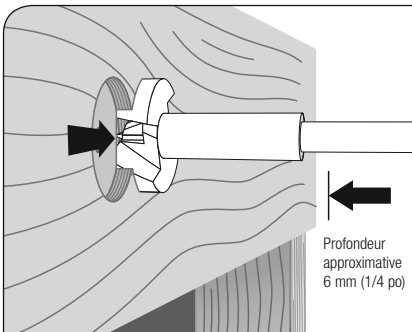
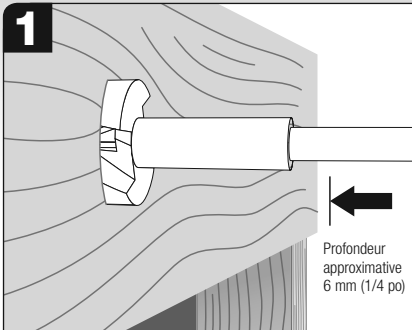


Tournevis Phillips

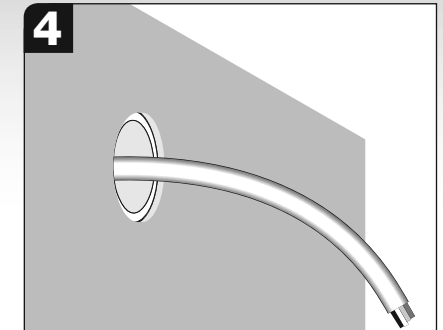


19 mm (3/4 po) une mèche Forstner

Mur Encadré



Mur Fini



Siège international | États-Unis

Lutron Electronics Co., Inc.
7200 Suter Road, Coopersburg, PA 18036-1299 États-Unis
Assistance à la clientèle : 1.844.LUTRON1 (588-7661)
lutron.com/help | support@lutron.com

EEA

Lutron NL B.V.
Herengracht 466
1017 CA Amsterdam
Netherlands (Importateur)

Royaume-Uni

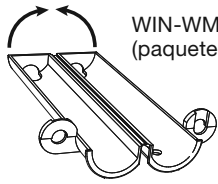
Dans l'EEA importé par : Lutron EA Ltd.
125 Finsbury Pavement, 4th floor, Londres EC2A 1NQ, RU
TÉL. : +44.(0)20.7702.0657 • FAX : +44.(0)20.7480.6899
Assistance technique : +44.(0)20.7680.4481
NUMÉRO GRATUIT : 0800.282.107

PALLADIOM

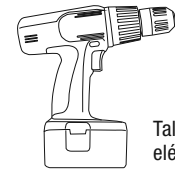
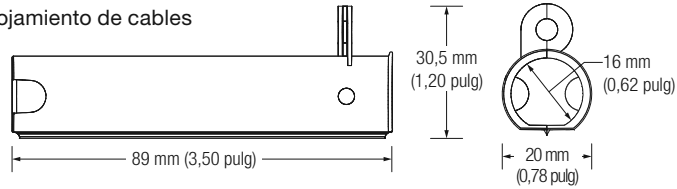
SISTEMA DE PERSIANAS

Sistema de gestión de cables
Guía de instalación del alojamiento de cables

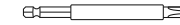
IMPORTANTE: Este sistema de gestión de cables es únicamente para cableados NEC® Clase 2 / PELV



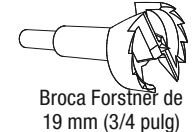
WIN-WM-BOX-10 - Alojamiento de cables
(paquete de 10)



Taladro eléctrico

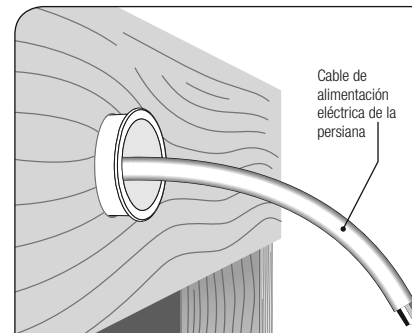
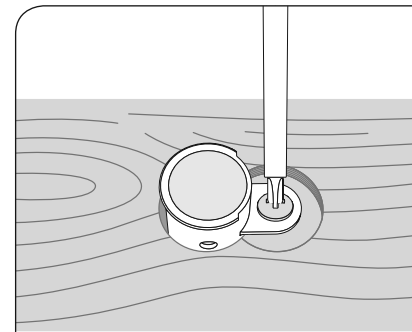
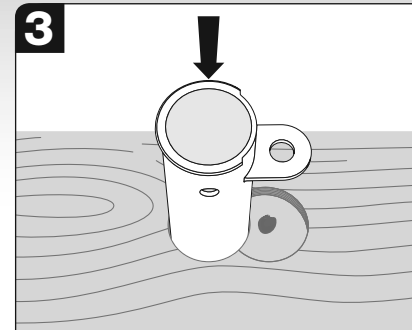
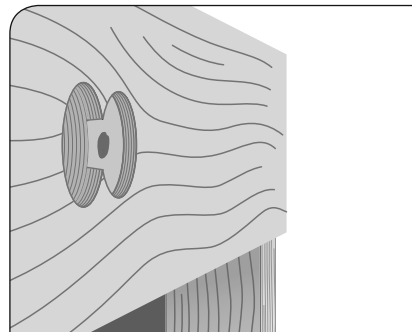
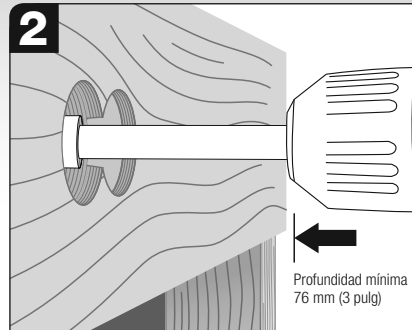
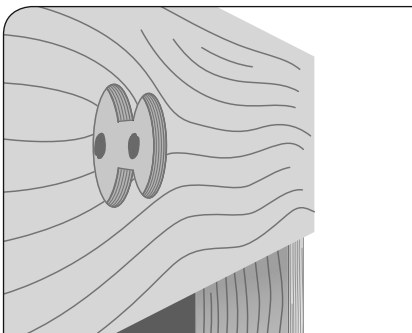
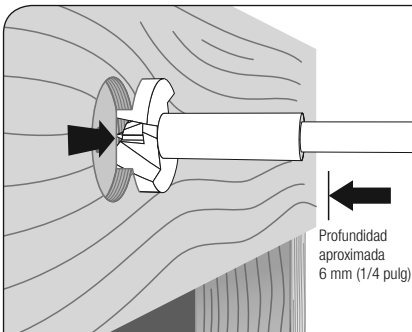
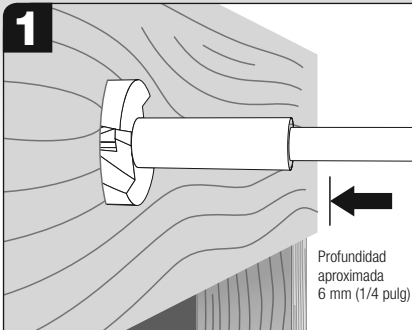


Punta de destornillador Phillips

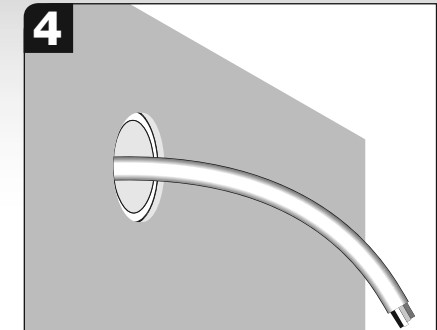


Broca Forstner de 19 mm (3/4 pulg)

Pared enmarcada



Pared terminada



Centro de operaciones mundial | E.U.A.

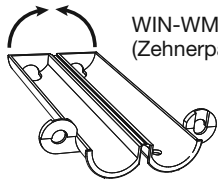
Lutron Electronics Co., Inc.
7200 Suter Road, Coopersburg, PA 18036-1299, E.U.A.
Asistencia al cliente: 1.844.LUTRON1 (588-7661)
lutron.com/help | Support@Lutron.com

EEA

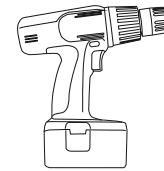
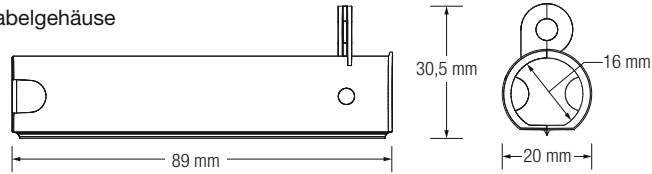
Lutron NL B.V.
Herengracht 466
1017 CA Amsterdam
Netherlands (Importador)

Reino Unido

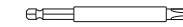
Lutron EA Ltd.
125 Finsbury Pavement, 4to piso
Londres EC2A 1NQ, Reino Unido
TEL: +44.(0)20.7702.0657 | FAX: +44.(0)20.7480.6899
Asistencia técnica: 44.(0)20.7680.4481
TELÉFONO GRATUITO: 0800.282.107



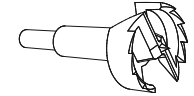
WIN-WM-BOX-10 – Kabelgehäuse
(Zehnerpackung)



Elektro-
bohrer

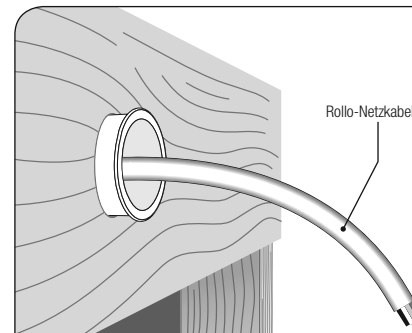
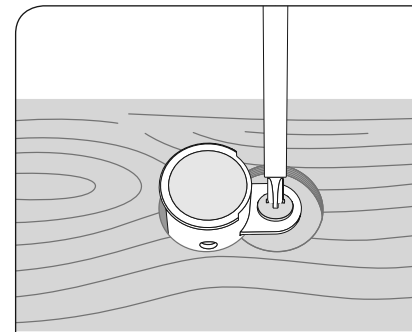
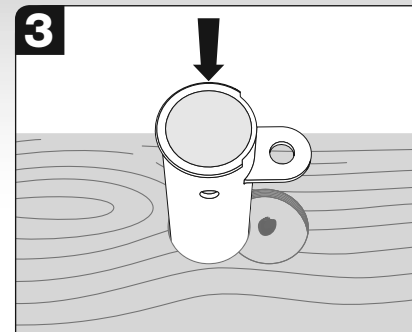
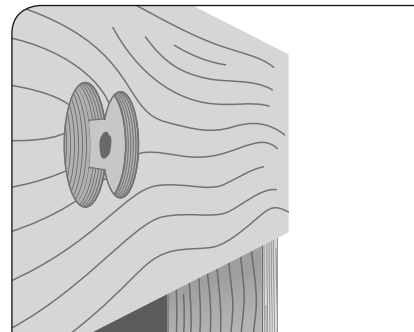
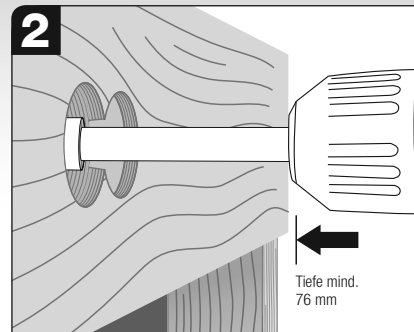
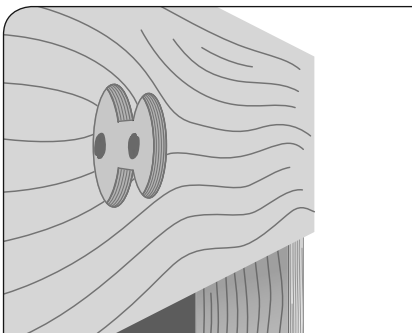
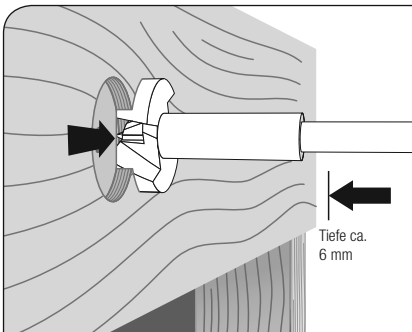
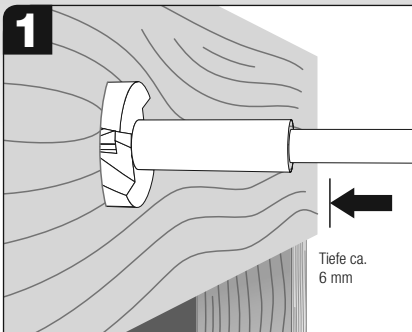


Kreuzschlitz-Bohrfutter

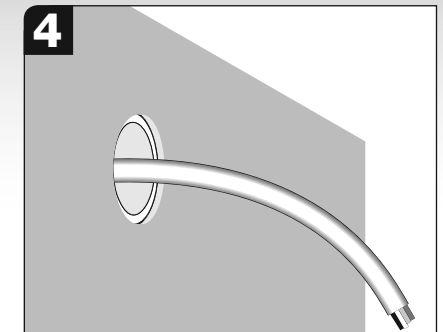


19-mm-Forstnerbohrfutter

Gerahmte Wand



Fertig verputzte Wand



Weltweite Zentrale | USA

Lutron Electronics Co., Inc.
7200 Suter Road, Coopersburg, PA 18036-1299, USA
Unterstützung für Kunden: 1.844.LUTRON1 (588-7661)
lutron.com/help | support@lutron.com

EEA

Lutron NL B.V.
Herengracht 466
1017 CA Amsterdam
Netherlands (Importeur)

VK

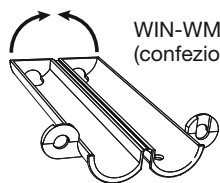
Lutron EA Ltd
125 Finsbury Pavement, 4th floor, London EC2A 1NQ, VK
Tel.: +44.(0)20.7702.0657 | Fax: +44.(0)20.7480.6899
Technischer Support: +44.(0)20.7680.4481
FREEPHONE: 0800.282.107

PALLADIOM

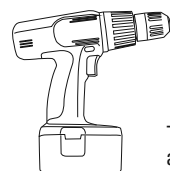
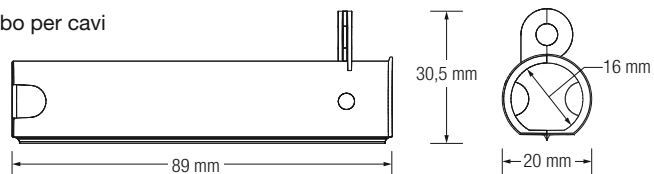
SISTEMA DI TENDE

Sistema di gestione dei cavi
Guida all'installazione del tubo per i cavi

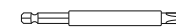
NOTA BENE – Questo sistema di gestione dei cavi è previsto solo per cablaggi NEC® Classe 2/PELV



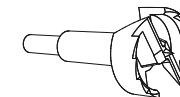
WIN-WM-BOX-10 - Tubo per cavi
(confezione di 10)



Trapano automatico

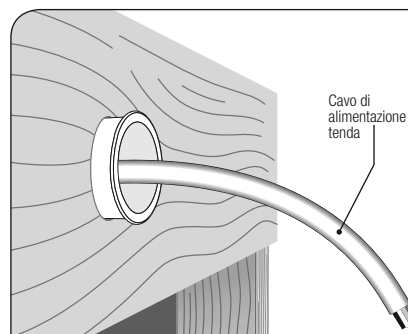
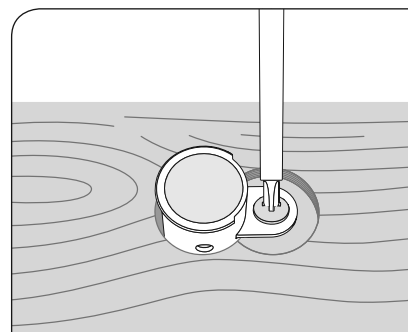
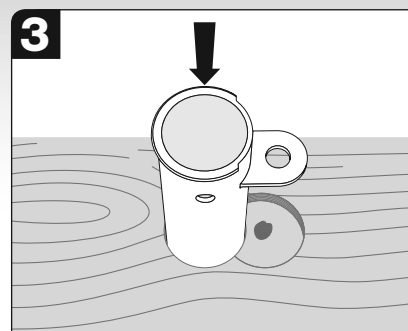
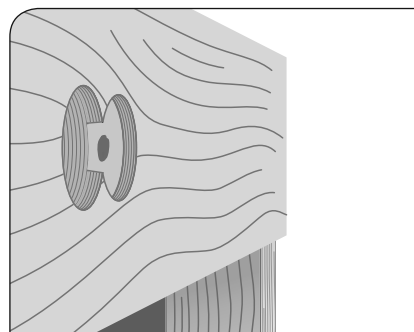
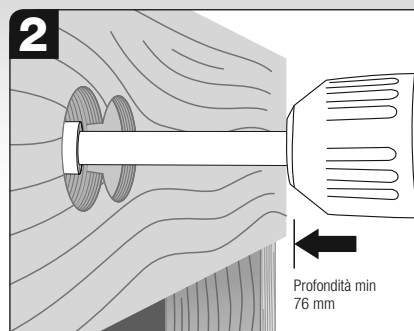
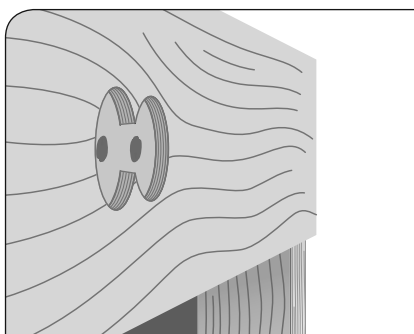
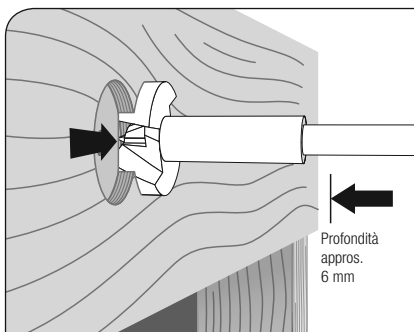
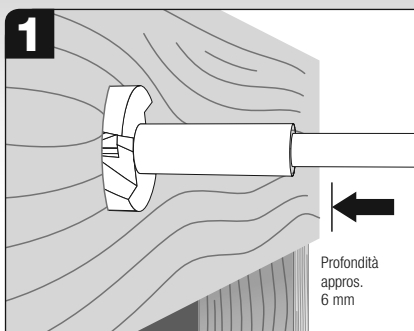


Punta per trapano

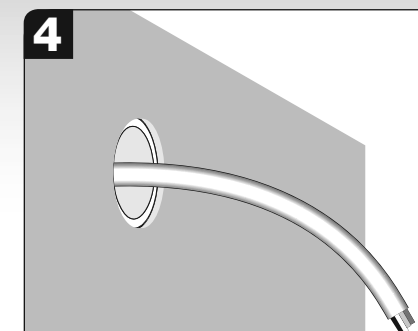


Punta Forstner da 19 mm

Parete a telaio



Parete rifinita



Sede principale mondiale | USA

Lutron Electronics Co., Inc.
7200 Suter Road, Coopersburg, PA 18036-1299 USA
Assistenza clienti: 1.844.LUTRON1 (588-7661)
lutron.com/help | support@lutron.com

EEA

Lutron NL B.V.
Herengracht 466
1017 CA Amsterdam
Netherlands (Importatore)

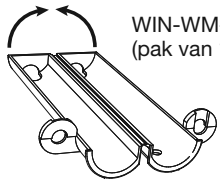
Regno Unito

Lutron EA Ltd
125 Finsbury Pavement, 4th floor
London EC2A 1NQ, Regno Unito
TEL: +44.(0)20.7702.0657 | FAX: +44.(0)20.7480.6899
Assistenza tecnica: +44.(0)20.7680.4481
NUMERO VERDE : 0800.282.107

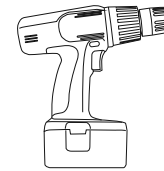
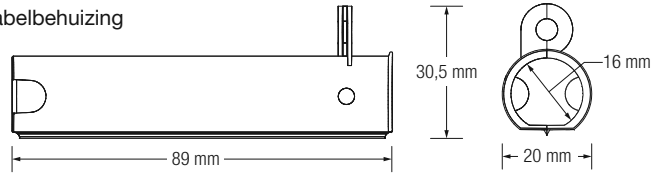
PALLADIOM ROLGORDIJSYSTEEM

Kabelbeheersysteem
Installatiegids voor kabelbehuizing

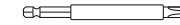
BELANGRIJK: Dit kabelbeheersysteem is uitsluitend bedoeld voor NEC® klasse 2/PELV bedrading



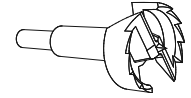
WIN-WM-BOX-10 - Kabelbehuizing
(pak van 10)



Boor-
machine

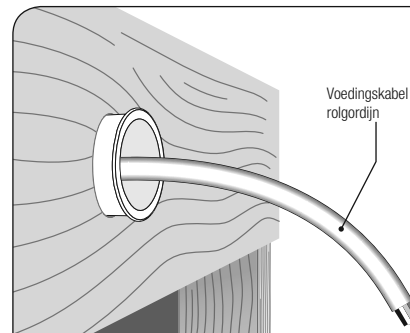
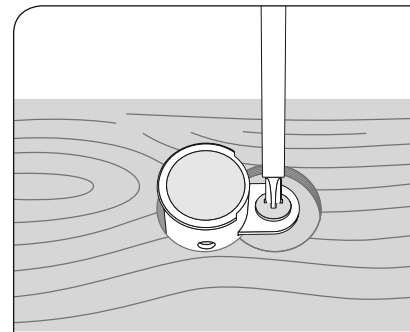
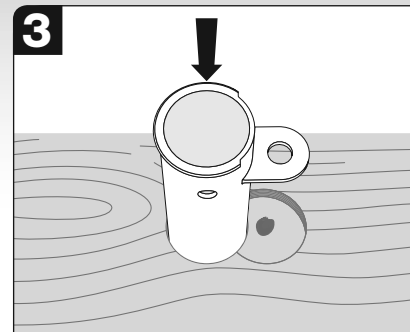
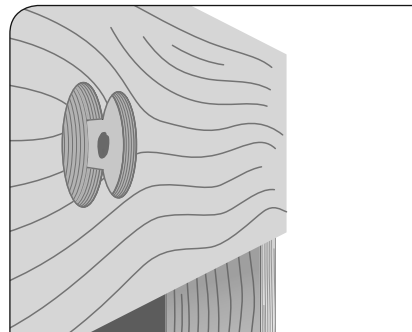
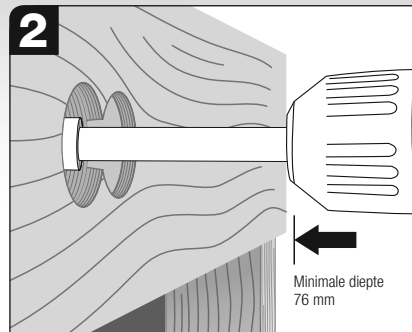
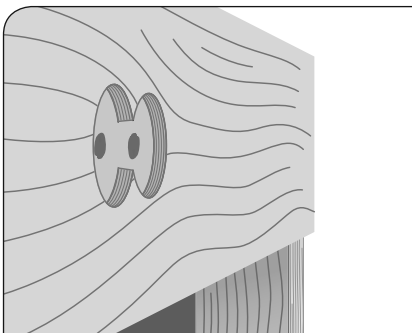
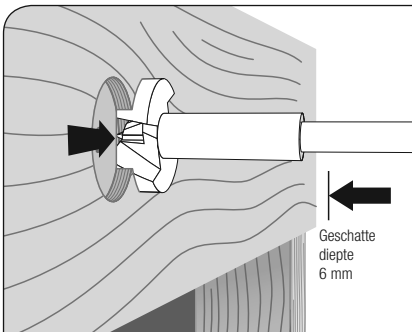
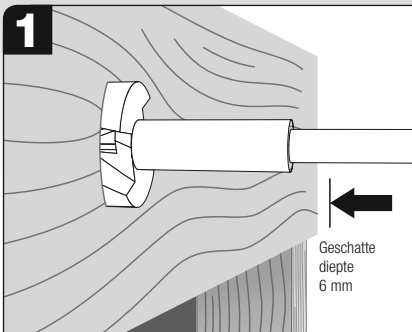


Kruiskopbit

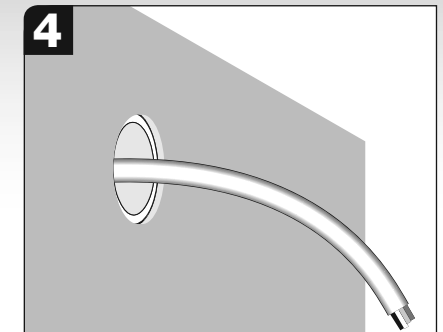


Forstner-boor 19 mm

Houtskeletwand



Afgewerkte wand



Hoofdkantoor | Verenigde Staten

Lutron Electronics Co., Inc.
7200 Suter Road, Coopersburg, PA 18036-1299 VS
Klantenservice: +1.844.LUTRON1 (588-7661)
lutron.com/help | support@lutron.com

EEA

Lutron NL B.V.
Herengracht 466
1017 CA Amsterdam
Netherlands (Importeur)

Verenigd Koninkrijk

Lutron EA Ltd
125 Finsbury Pavement, 4th floor
London EC2A 1NQ, VK
TEL: +44.(0)20.7702.0657 | FAX: +44.(0)20.7480.6899
Technische ondersteuning: +44.(0)20.7680.4481
FREEPHONE: 0800.282.107