

SENSORS

BLOCK LIBRARY

SENSORS

WIRING LEGEND:

- INPUT POWER (NORMAL)
- 2 #12AWG (4 mm²)
- ~ 1-WAY RF COMMUNICATION
- 2 #18AWG (1.0 mm²)
- 3 #18AWG (1.0 mm²)
- ⊗ LUTRON SENSOR CABLE C-CBL-522S OTHERWISE USE 3 #18 AWG (1.0 mm²)

LRF2-OWLBP
43Mhz WIRELESS WALL MOUNTED OCCUPANCY/VACANCY SENSOR
180° COVERAGE
4.3571(10mm) (H) X 1.875(6mm) (W) X 1.3573(4mm) (D)
MAX 10 PER GDM
*DEVICE IS SURFACE MOUNTED AND BATTERY POWERED. DOES NOT REQUIRE POWER FEED.
LOCATION TBD

LRF2-VWLB-P
43Mhz WIRELESS WALL MOUNTED VACANCY SENSOR
180° COVERAGE
4.3571(10mm) (H) X 1.875(6mm) (W) X 1.3573(4mm) (D)
MAX 10 PER GDM
*DEVICE IS SURFACE MOUNTED AND BATTERY POWERED. DOES NOT REQUIRE POWER FEED.
LOCATION TBD

MS-OPS6-DDV
OCCUPANCY/VACANCY PIR SENSOR
SINGLE POLE/MULTI LOCATION
DIAGNOSTIC 120/277 V MA MAESTRO SWITCH
*NO NEUTRAL WIRE REQUIRED
AUTO ON/AUTO OFF OR MANUAL ON/AUTO OFF (1 GANG US BACKBOX BY OTHERS)
LOCATION TBD

MS-Z101
OCCUPANCY/VACANCY SENSOR
SINGLE POLE/MULTI LOCATION
0-10V BA MAESTRO DIMMER
AUTO ON/AUTO OFF OR MANUAL ON/AUTO OFF (1 GANG US BACKBOX BY OTHERS)
LOCATION TBD

MS-Z101-V
VACANCY SENSOR
SINGLE POLE/MULTI LOCATION
0-10V BA MAESTRO DIMMER
MANUAL ON/AUTO OFF (1 GANG US BACKBOX BY OTHERS)
LOCATION TBD

LRF2-OHLB-P
43Mhz WIRELESS HALL MOUNTED OCCUPANCY/VACANCY SENSOR
90° COVERAGE
4.3571(10mm) (H) X 1.875(6mm) (W) X 1.3573(4mm) (D)
MAX 10 PER GDM
*DEVICE IS SURFACE MOUNTED AND BATTERY POWERED. DOES NOT REQUIRE POWER FEED.
LOCATION TBD

LRF2-VHLB-P
43Mhz WIRELESS HALL MOUNTED VACANCY SENSOR
90° COVERAGE
4.3571(10mm) (H) X 1.875(6mm) (W) X 1.3573(4mm) (D)
MAX 10 PER GDM
*DEVICE IS SURFACE MOUNTED AND BATTERY POWERED. DOES NOT REQUIRE POWER FEED.
LOCATION TBD

MS-OPS5M
OCCUPANCY/VACANCY PIR SENSOR
SINGLE POLE/MULTI LOCATION
MAESTRO SWITCH
WITH LIGHTING SWITCH
AUTO ON/AUTO OFF OR MANUAL ON/AUTO OFF (1 GANG US BACKBOX BY OTHERS)
LOCATION TBD

MS-VPS5M
VACANCY SENSOR
SINGLE POLE/MULTI LOCATION
MAESTRO DIMMER
WITH 0-10V BA DIMMER
MANUAL ON/AUTO OFF (1 GANG US BACKBOX BY OTHERS)
LOCATION TBD

MS-OP600M
OCCUPANCY/VACANCY SENSOR
SINGLE POLE/MULTI LOCATION
MAESTRO DIMMER
WITH 0-10V BA DIMMER
MANUAL ON/AUTO OFF (1 GANG US BACKBOX BY OTHERS)
LOCATION TBD

MS-VP600M
VACANCY SENSOR
SINGLE POLE/MULTI LOCATION
MAESTRO DIMMER
WITH 0-10V BA DIMMER
MANUAL ON/AUTO OFF (1 GANG US BACKBOX BY OTHERS)
LOCATION TBD

LRF2-OKLB-P
43Mhz WIRELESS CORNER MOUNTED OCCUPANCY/VACANCY SENSOR
90° COVERAGE
4.3571(10mm) (H) X 1.875(6mm) (W) X 1.3573(4mm) (D)
MAX 10 PER GDM
*DEVICE IS SURFACE MOUNTED AND BATTERY POWERED. DOES NOT REQUIRE POWER FEED.
LOCATION TBD

LRF2-VKLB-P
43Mhz WIRELESS CORNER MOUNTED VACANCY SENSOR
90° COVERAGE
4.3571(10mm) (H) X 1.875(6mm) (W) X 1.3573(4mm) (D)
MAX 10 PER GDM
*DEVICE IS SURFACE MOUNTED AND BATTERY POWERED. DOES NOT REQUIRE POWER FEED.
LOCATION TBD

MS-OPS6M2-DV
OCCUPANCY/VACANCY SENSOR
SINGLE POLE/MULTI LOCATION
120/277 V MAESTRO DIMMER
*NO NEUTRAL WIRE REQUIRED
AUTO ON/AUTO OFF OR MANUAL ON/AUTO OFF (1 GANG US BACKBOX BY OTHERS)
LOCATION TBD

MS-VPS6M2-DV
VACANCY SENSOR
SINGLE POLE/MULTI LOCATION
120/277 V MAESTRO DIMMER
*NO NEUTRAL WIRE REQUIRED
AUTO ON/AUTO OFF OR MANUAL ON/AUTO OFF (1 GANG US BACKBOX BY OTHERS)
LOCATION TBD

MS-OPS6M2N-DV
VACANCY SENSOR
SINGLE POLE/MULTI LOCATION
120/277 V MAESTRO DIMMER
*NO NEUTRAL WIRE REQUIRED
AUTO ON/AUTO OFF OR MANUAL ON/AUTO OFF (1 GANG US BACKBOX BY OTHERS)
LOCATION TBD

EC-IR
EC-IR-WH
FIXTURE MOUNTABLE SENSOR IN RECEIVER
1 (MAX PER BALLAST/MODULE)
1.187(30mm) DIA.
LOCATION TBD

EC-DIR
EC-DIR-WH
FIXTURE MOUNTABLE DAYLIGHT SENSOR IN RECEIVER
1 (MAX PER BALLAST/MODULE)
1.187(30mm) DIA.
LOCATION TBD

OCC SENSOR LOS-xxx-xxxx
LOS-xxx-xxxx-WH
43Mhz WIRELESS RADIO WINDOW SENSOR
CEILING MOUNT
OCCUPANCY SENSOR
180 DEG COVERAGE
4.571(14mm) (DIA) X 1.475(6mm) (D)
LOCATION TBD

LRF2-SSW
43Mhz WIRELESS RADIO WINDOW SENSOR
CEILING MOUNT
OCCUPANCY SENSOR
180 DEG COVERAGE
4.571(14mm) (DIA) X 1.475(6mm) (D)
LOCATION TBD

MS-B102
MAESTRO DUAL DIMMER/DRY SENSOR SWITCH FOR ONE LIGHTING CIRCUIT
120/277 V MAESTRO DIMMER
*NO NEUTRAL WIRE REQUIRED
AUTO ON/AUTO OFF OR MANUAL ON/AUTO OFF WITH CLEAR WALLPLATE (1) C/W 1-WH (1 GANG US BACKBOX BY OTHERS)
LOCATION TBD

MS-B202
MAESTRO DUAL TECHNOLOGY SENSOR SWITCH FOR TWO LIGHTING CIRCUITS
120/277 V MAESTRO DIMMER
*NO NEUTRAL WIRE REQUIRED
AUTO ON/AUTO OFF OR MANUAL ON/AUTO OFF WITH CLEAR WALLPLATE (1) C/W 1-WH (1 GANG US BACKBOX BY OTHERS)
LOCATION TBD

MS-VPS6M2N-DV
VACANCY SENSOR
SINGLE POLE/MULTI LOCATION
120/277 V MAESTRO DIMMER
*NO NEUTRAL WIRE REQUIRED
AUTO ON/AUTO OFF OR MANUAL ON/AUTO OFF (1 GANG US BACKBOX BY OTHERS)
LOCATION TBD

Wall Mount
LOS-xxx-xxxx-WH
WALL MOUNT OCCUPANCY SENSOR
(1 GANG US BACKBOX BY OTHERS)
LOCATION TBD

Ceiling Mount
LOS-xxx-xxxx-WH
CEILING MOUNT OCCUPANCY SENSOR
180 DEG COVERAGE
4.571(14mm) (DIA) X 1.475(6mm) (D)
LOCATION TBD

LUT-WSPSEM24V-180-CPN6112
LUT-WSPSEM24V-180-CPN6112
FIXTURE END MOUNT HIGH BAY OCCUPANCY SENSOR
360 DEG COVERAGE
*180 DEG. OPTION AVAILABLE
DIMENSIONS: 4" DIAMETER 1.5" HEIGHT
LOCATION TBD

LUT-WSPSM24V-180-CPN6111
LUT-WSPSM24V-180-CPN6111
FIXTURE SURFACE MOUNT HIGH BAY OCCUPANCY SENSOR
360 DEG COVERAGE
*180 DEG. OPTION AVAILABLE
DIMENSIONS: 4" DIAMETER 1.5" HEIGHT
LOCATION TBD

LRF2-OCR2B-P
43Mhz WIRELESS OCCUPANCY/VACANCY SENSOR
3.571(9mm) (DIA) X 1.121(28mm) (D)
MAX 10 PER GDM
*DEVICE IS SURFACE MOUNTED AND BATTERY POWERED. DOES NOT REQUIRE POWER FEED.
LOCATION TBD (OPTION WITH LCRBK-WH RECESS MOUNT KIT FOR NON-METALLIC CEILINGS)

LRF2-VCR2B-P
43Mhz WIRELESS VACANCY SENSOR
3.571(9mm) (DIA) X 1.121(28mm) (D)
MAX 10 PER GDM
*DEVICE IS SURFACE MOUNTED AND BATTERY POWERED. DOES NOT REQUIRE POWER FEED.
LOCATION TBD (OPTION WITH LCRBK-WH RECESS MOUNT KIT FOR NON-METALLIC CEILINGS)

LUT-WSPSEM24V-360-CPN6112
LUT-WSPSEM24V-360-CPN6112
FIXTURE END MOUNT HIGH BAY OCCUPANCY SENSOR
360 DEG COVERAGE
*180 DEG. OPTION AVAILABLE
DIMENSIONS: 4" DIAMETER 1.5" HEIGHT
LOCATION TBD

LUT-WSPSM24V-360-CPN6111
LUT-WSPSM24V-360-CPN6111
FIXTURE SURFACE MOUNT HIGH BAY OCCUPANCY SENSOR
360 DEG COVERAGE
*180 DEG. OPTION AVAILABLE
DIMENSIONS: 4" DIAMETER 1.5" HEIGHT
LOCATION TBD

EW-105-24-WH-CPN5055
EW-105-24-WH-CPN5055
OUTDOOR PIR OCCUPANCY SENSOR
DIMENSIONS: 6.7" X 3.2" X 2.2"
LOCATION TBD

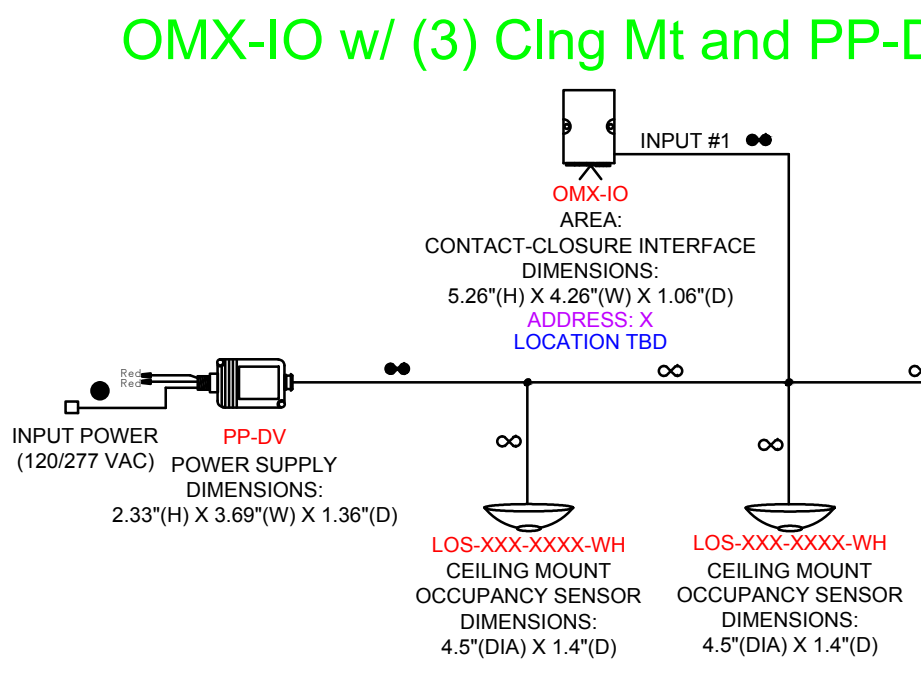
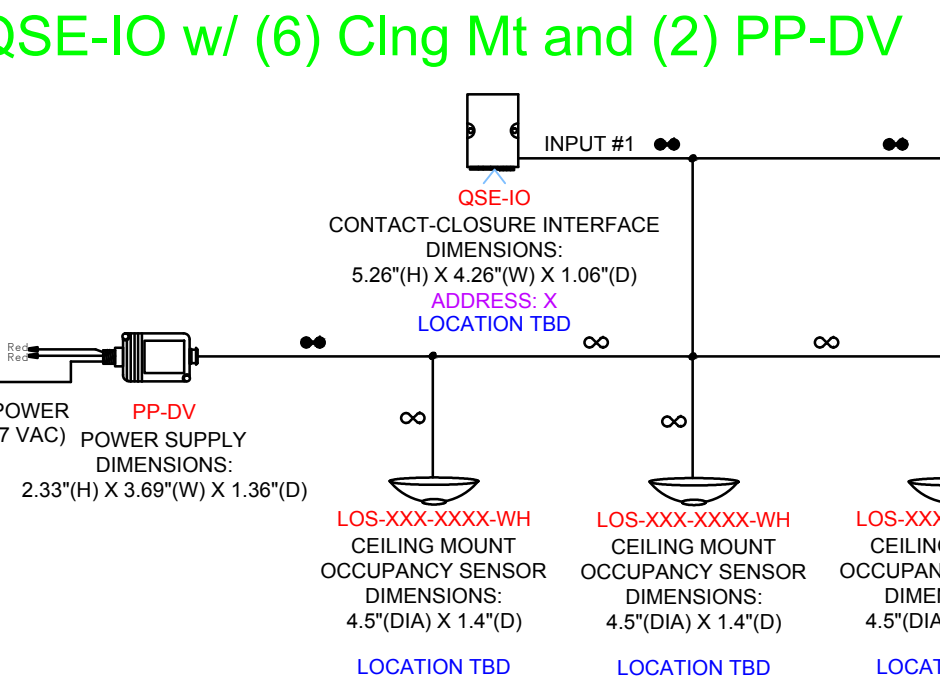
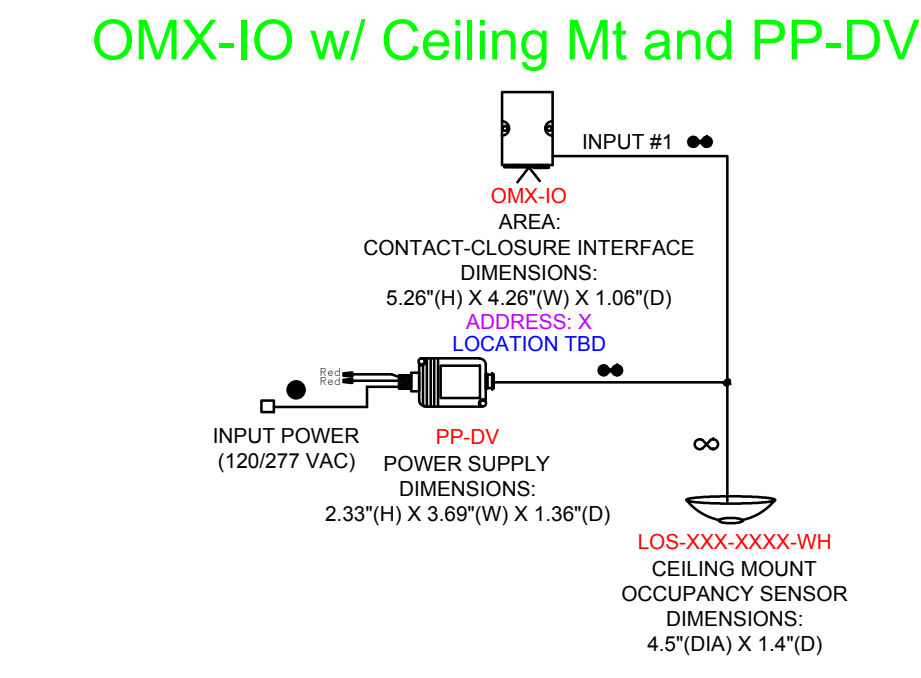
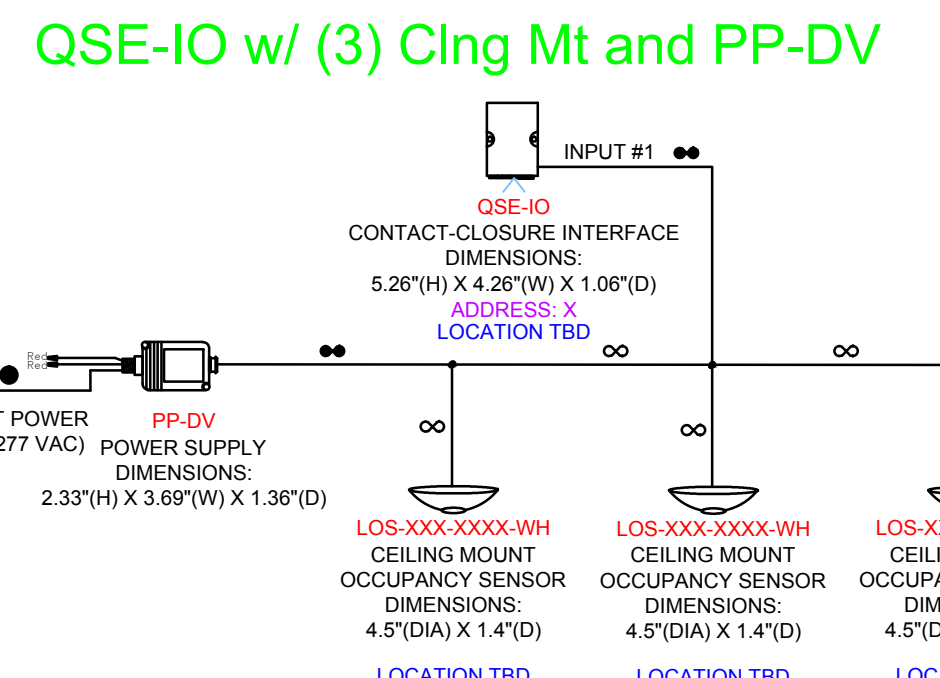
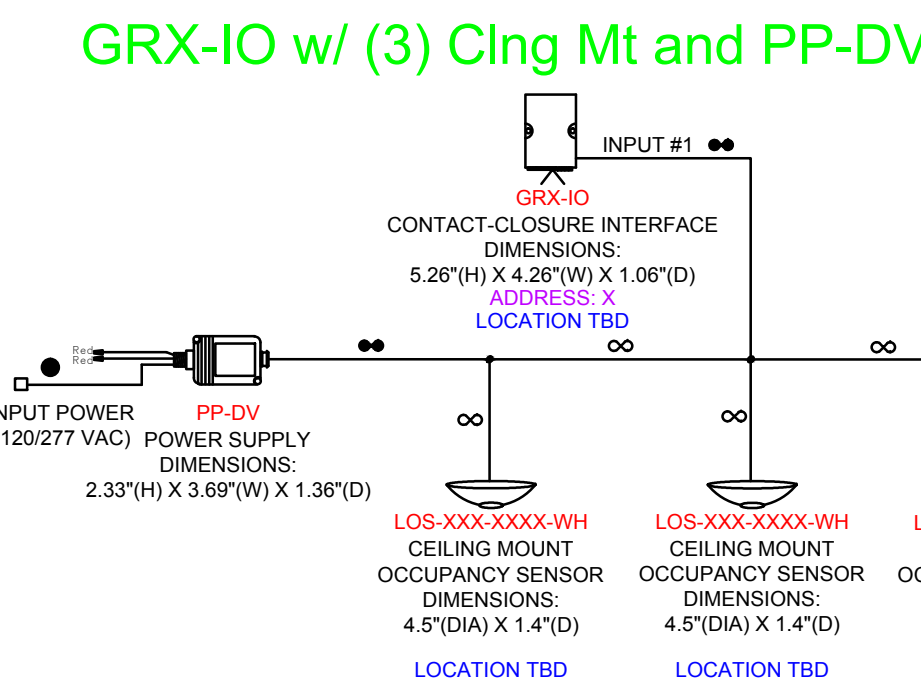
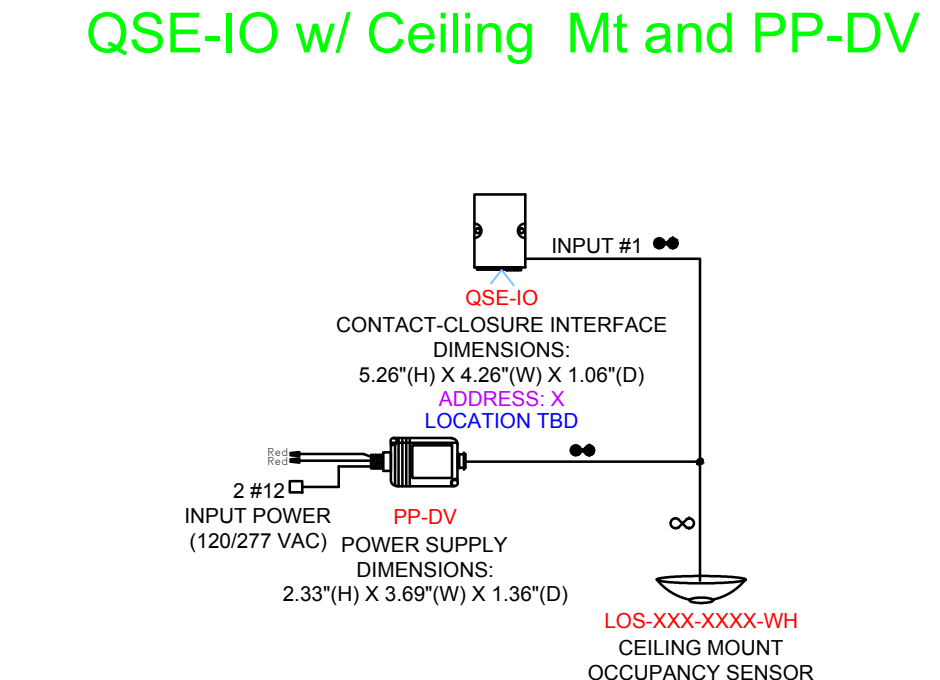
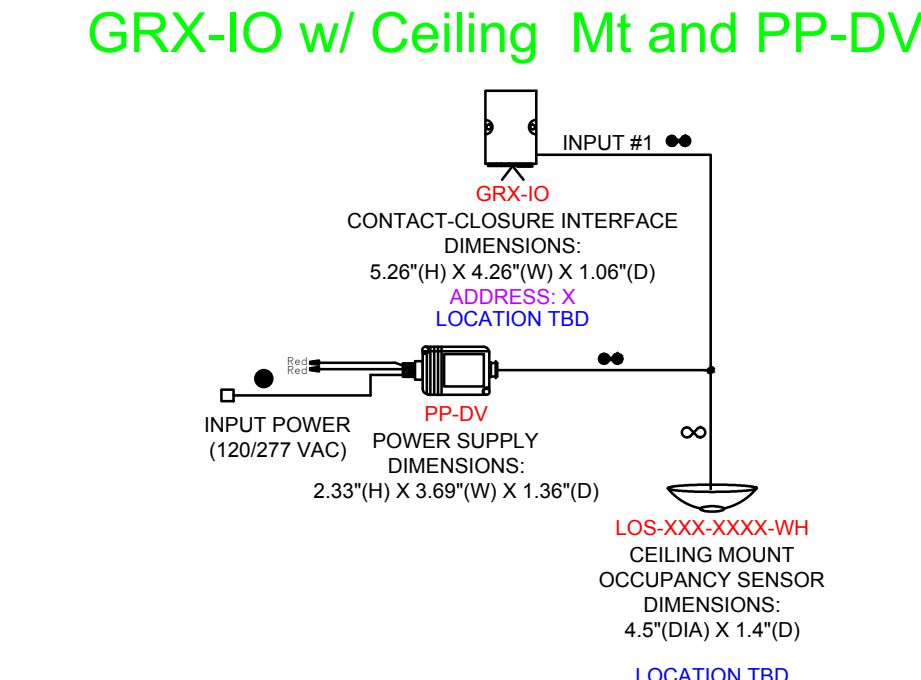
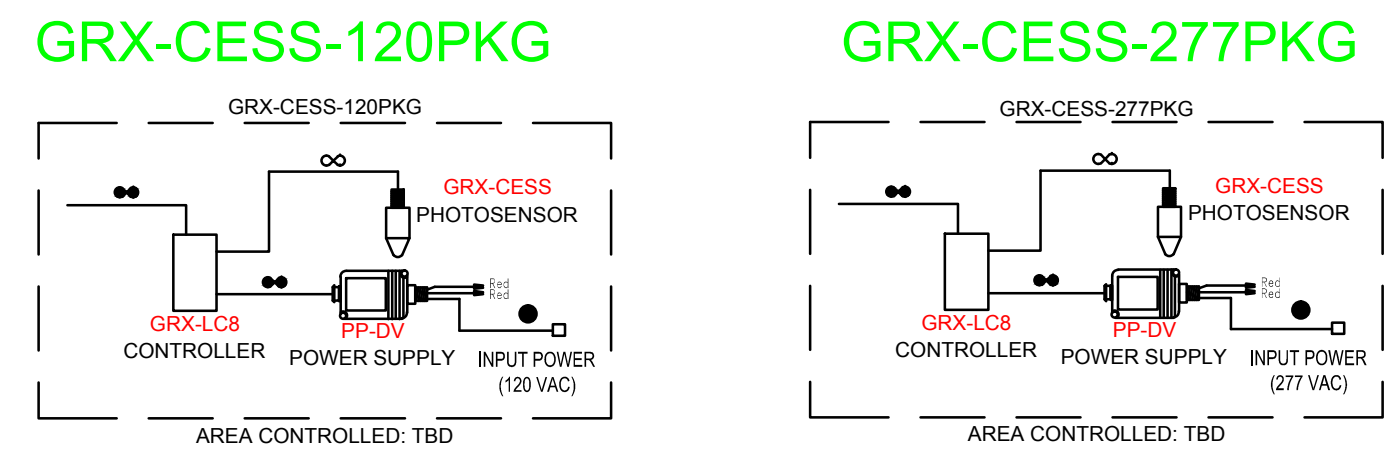
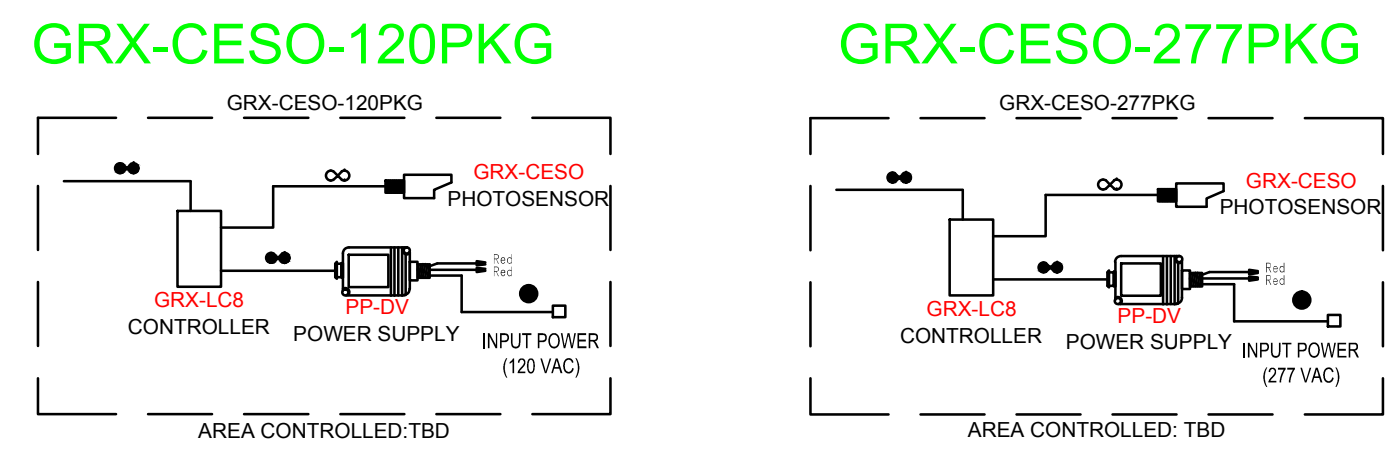
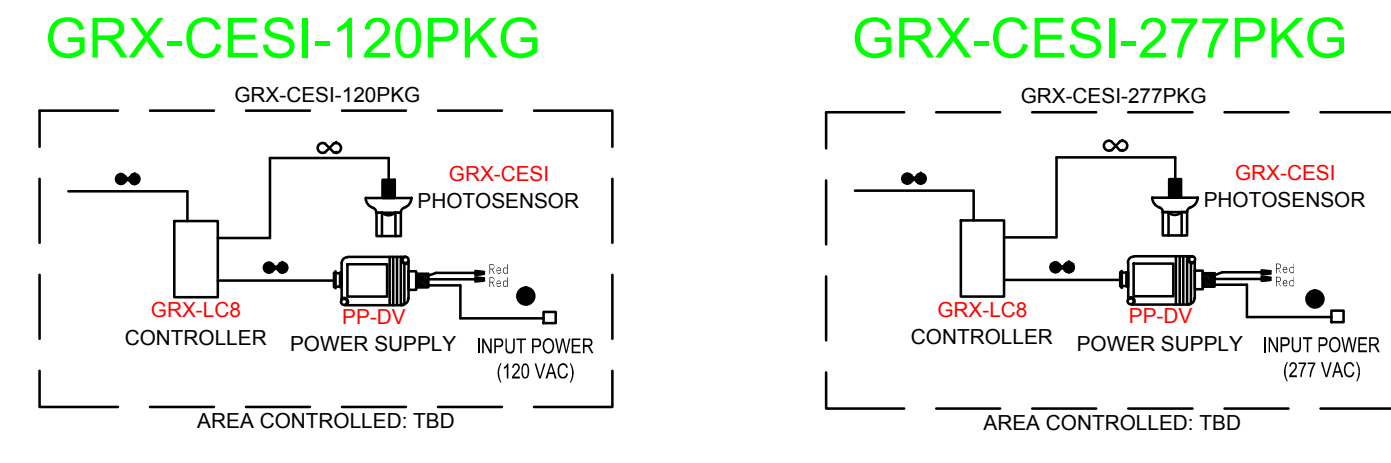
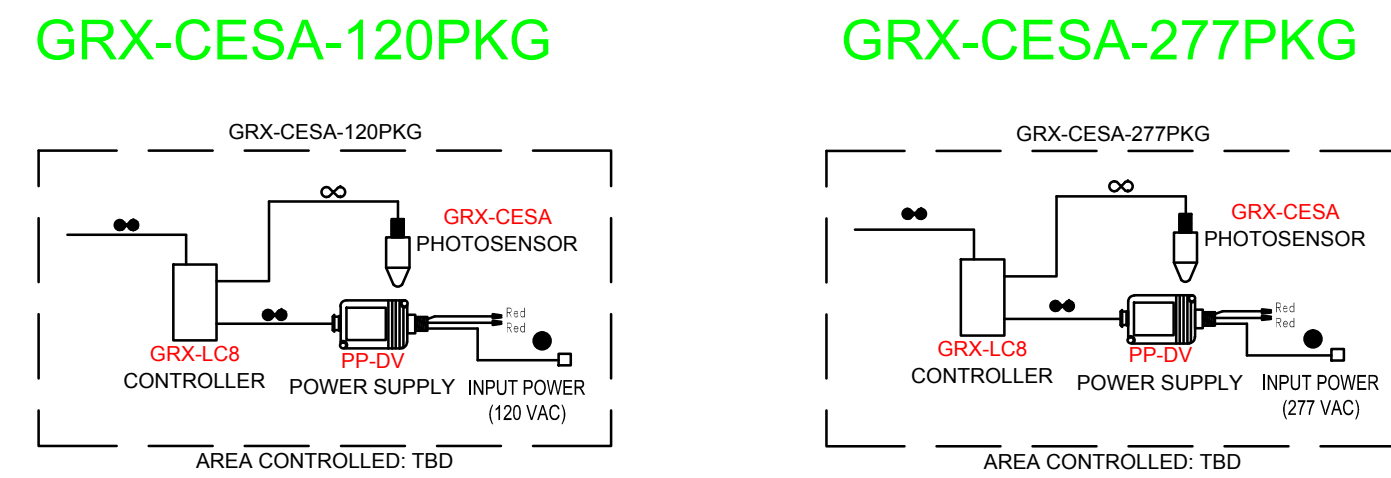
LRF2-DCRB
43Mhz WIRELESS DAYLIGHT SENSOR
1.67(42mm) (DIA) X 0.717(18mm) (D)
MAX 10 PER GDM
*DEVICE IS SURFACE MOUNTED AND BATTERY POWERED. DOES NOT REQUIRE POWER FEED.
LOCATION TBD

LRF2-SSM
43Mhz WIRELESS RADIO WINDOW SENSOR
CEILING MOUNT
OCCUPANCY SENSOR
180 DEG COVERAGE
4.571(14mm) (DIA) X 1.475(6mm) (D)
LOCATION TBD

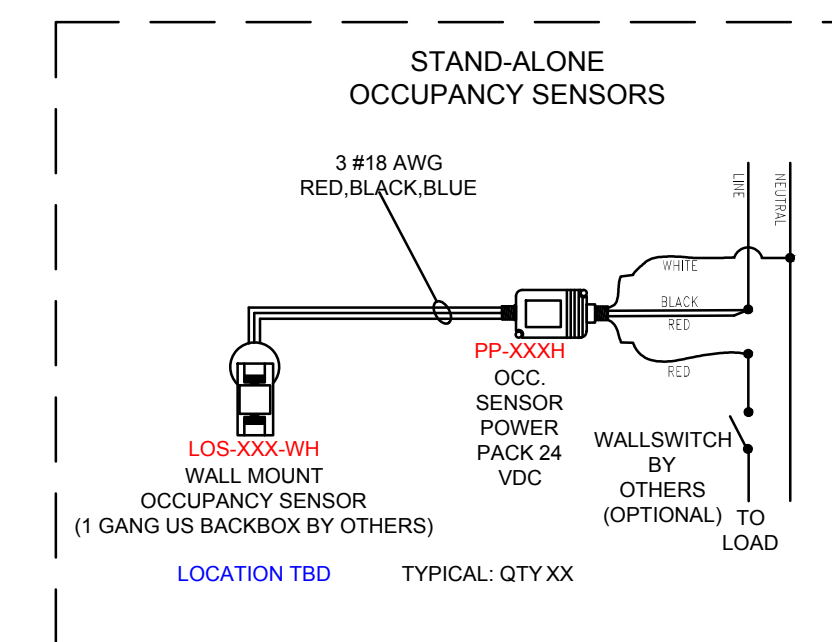
PP-SH
PP-SH
INPUT POWER (120VAC)
POWER SUPPLY DIMENSIONS: 2.337(H) X 3.69(W) X 1.36(D)

PP-DV
PP-DV
INPUT POWER (120/277V)
POWER SUPPLY DIMENSIONS: 2.337(H) X 3.69(W) X 1.36(D)

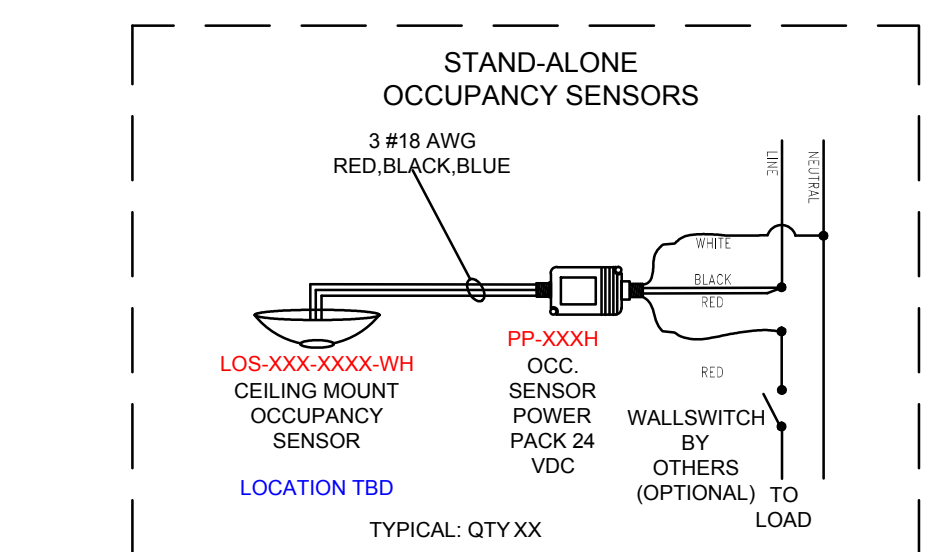
PP-347H
PP-347H
INPUT POWER (120VAC)
POWER SUPPLY DIMENSIONS: 2.337(H) X 3.69(W) X 1.36(D)



STAND ALONE WALL MOUNT



STAND ALONE CEILING MOUNT



Drawn By: XXX
Drawing Revision: 0
Drawing Date: OCTOBER 2016